

4

3

2

1

PLEASE FILL OUT PUMP INFORMATION SHEET AND EMAIL TO RPS INDUSTRIES.

PUMP INFORMATION

A= \_\_\_\_\_

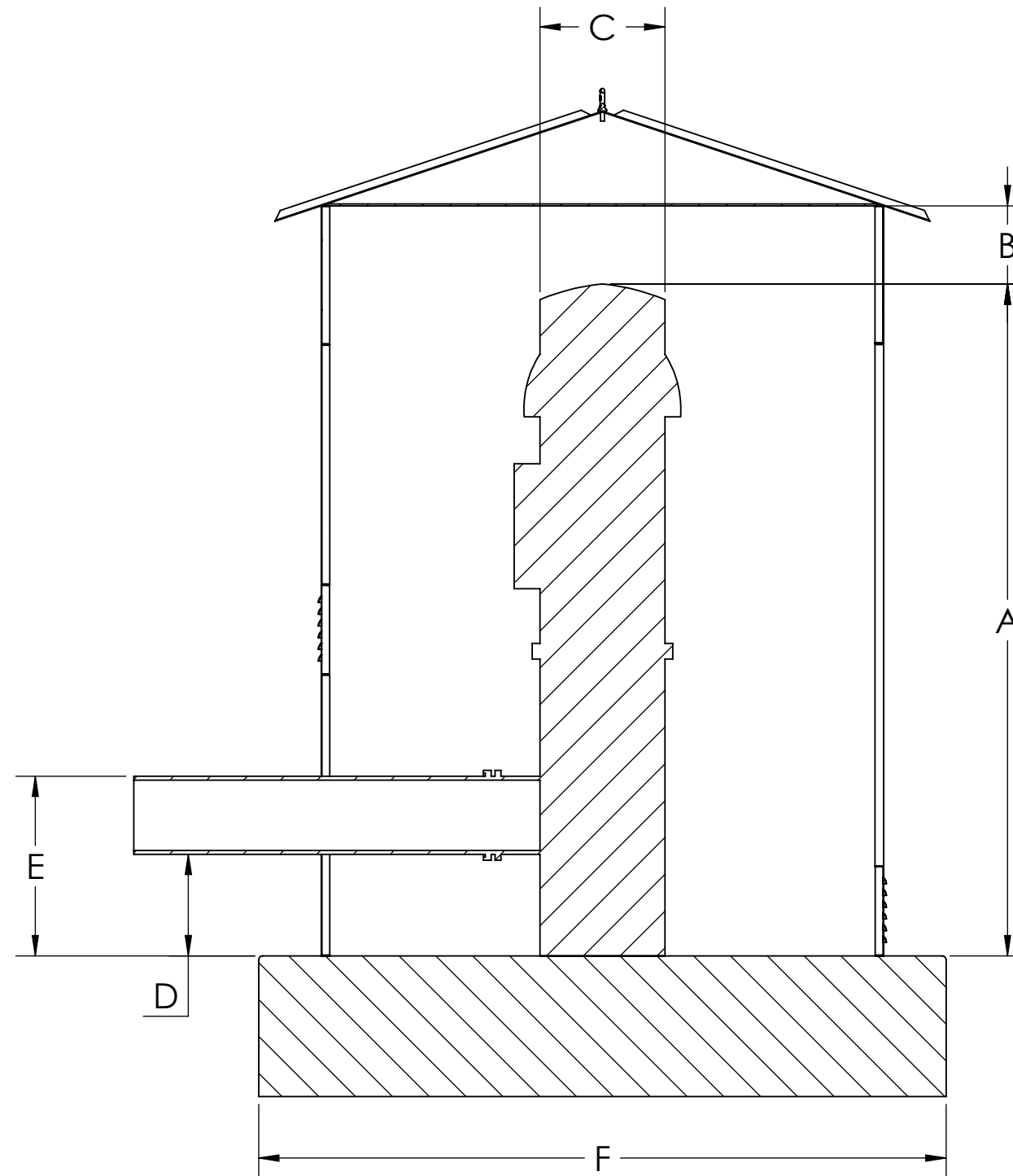
B= \_\_\_\_\_

C= \_\_\_\_\_

D= \_\_\_\_\_

E= \_\_\_\_\_

F= \_\_\_\_\_



B

B

A

A

CUSTOMER:

**PROPRIETARY NOTICE**

THIS DRAWING IS CONFIDENTIAL AND THE PROPERTY OF RPS INDUSTRIES AND IS NOT TO BE REPRODUCED OR SHOWN TO OTHERS WITHOUT THE WRITTEN CONSENT OF RPS INDUSTRIES.

**DO NOT SCALE DRAWINGS FROM THIS SHEET**

LOCATION:

STATION:

PUMP:

TITLE:

**PUMP INFORMATION SHEET**

**RPS INDUSTRIES  
PRECISION SHEET METAL**

11105 SW INDUSTRIAL WAY, BLDG 6, BAY 1  
TUALATIN, OREGON 97062  
PH. 503-691-5972  
WWW.RPSUSA.COM

4

3

2

1

4

3

2

1

PLEASE FILL OUT PUMP INFORMATION SHEET AND EMAIL TO RPS INDUSTRIES.

PUMP INFORMATION

A= \_\_\_\_\_

B= \_\_\_\_\_

C= \_\_\_\_\_

D= \_\_\_\_\_

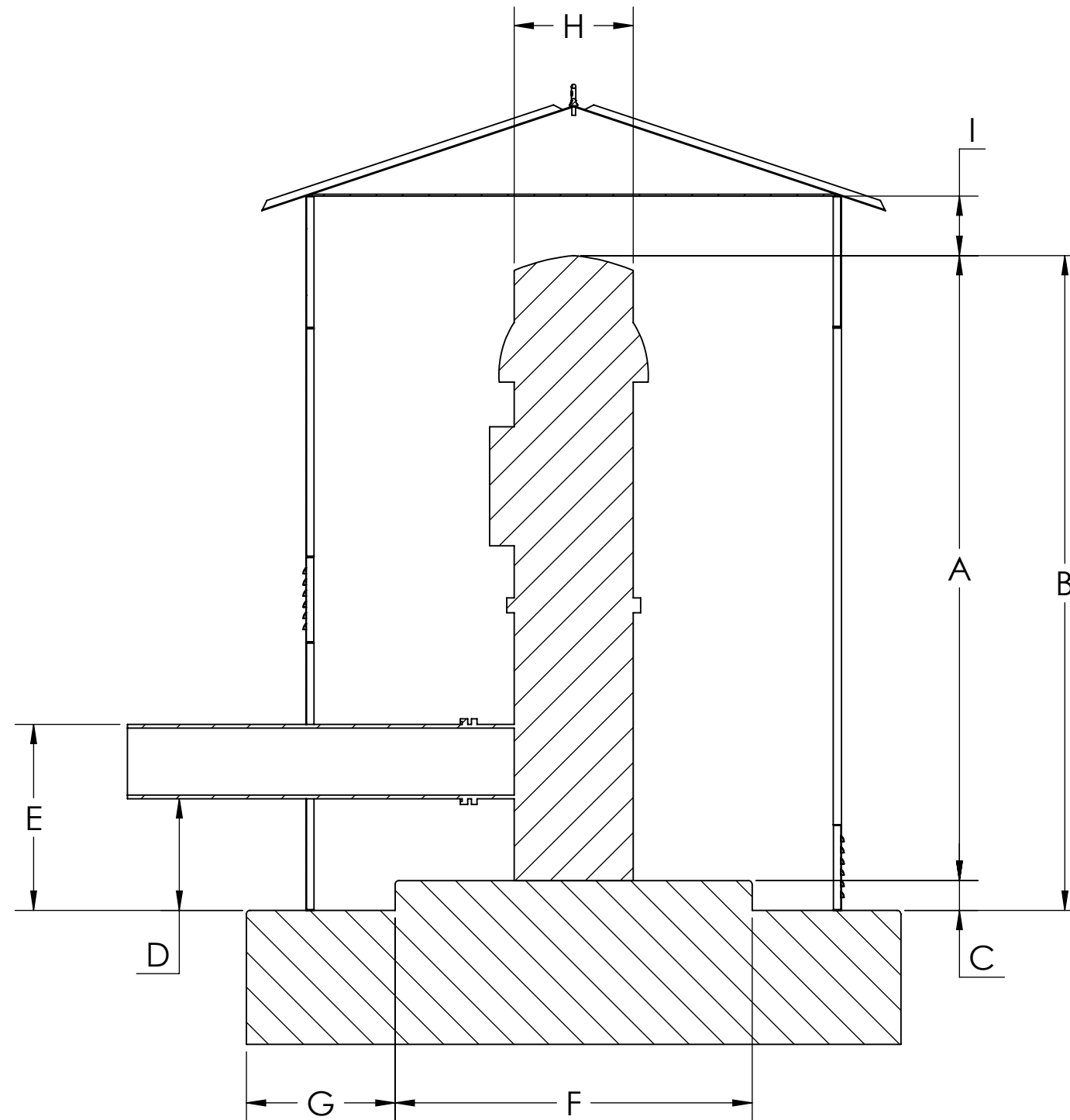
E= \_\_\_\_\_

F= \_\_\_\_\_

G= \_\_\_\_\_

H= \_\_\_\_\_

I= \_\_\_\_\_



CUSTOMER:

**PROPRIETARY NOTICE**

THIS DRAWING IS CONFIDENTIAL AND THE PROPERTY OF RPS INDUSTRIES AND IS NOT TO BE REPRODUCED OR SHOWN TO OTHERS WITHOUT THE WRITTEN CONSENT OF RPS INDUSTRIES.

**DO NOT SCALE DRAWINGS FROM THIS SHEET**

LOCATION:

STATION:

PUMP:

TITLE:

**PUMP INFORMATION SHEET**

**RPS INDUSTRIES**

**PRECISION SHEET METAL**

11105 SW INDUSTRIAL WAY, BLDG 6, BAY 1  
TUALATIN, OREGON 97062  
PH. 503-691-5972  
WWW.RPSUSA.COM

4

3

2

1

B

B

A

A

4

3

2

1

PLEASE FILL OUT EQUIPMENT INFORMATION SHEET AND EMAIL TO RPS INDUSTRIES.

EQUIPMENT INFORMATION

A= \_\_\_\_\_

B= \_\_\_\_\_

C= \_\_\_\_\_

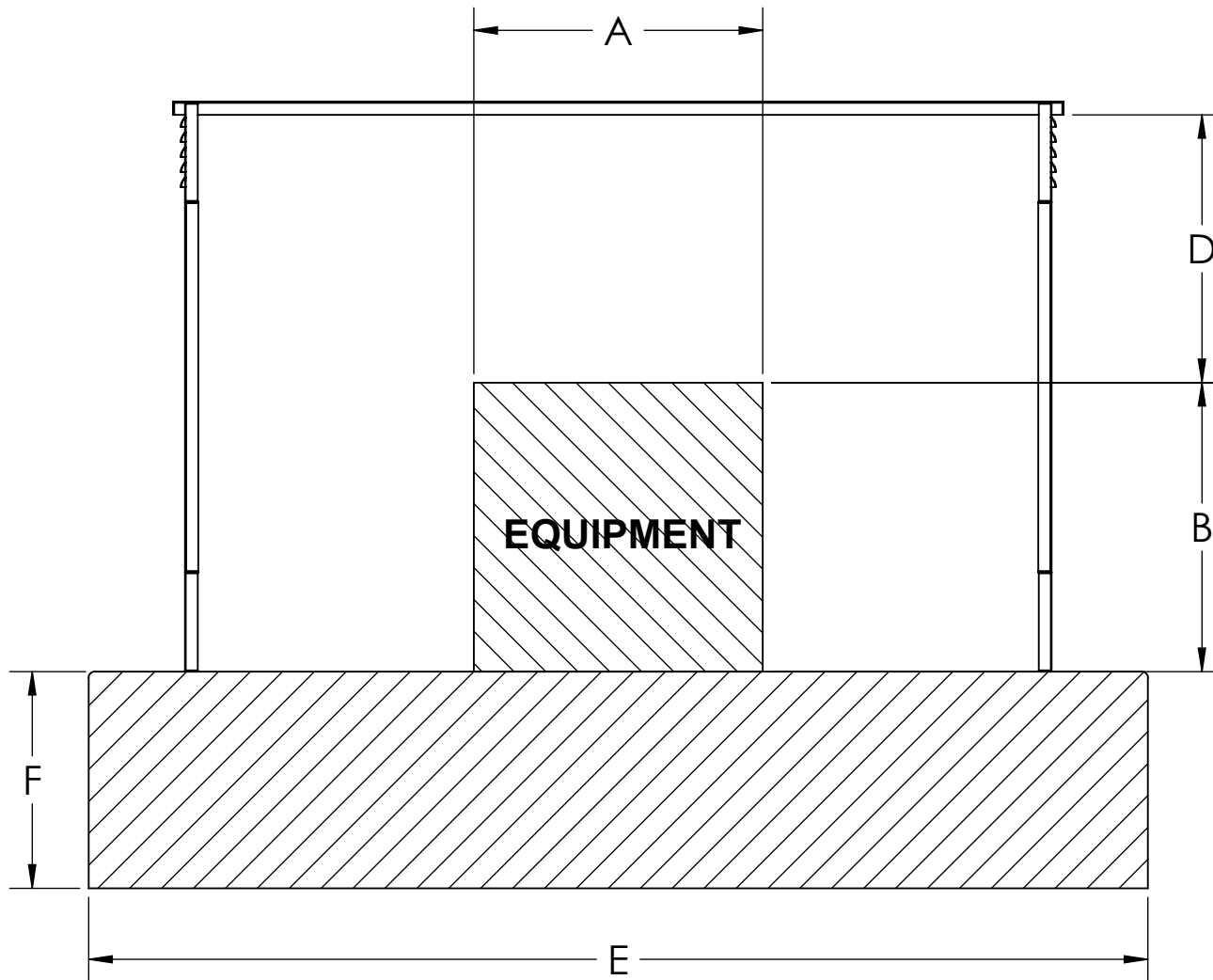
D= \_\_\_\_\_

E= \_\_\_\_\_

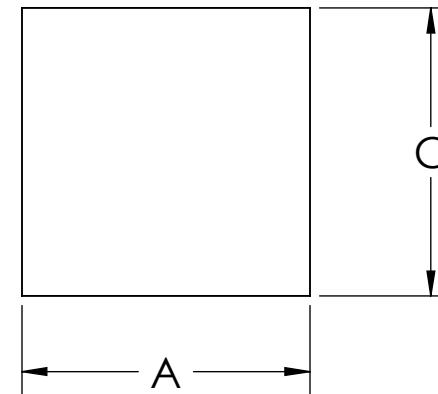
F= \_\_\_\_\_

B

B



EQUIPMENT TOP VIEW



A

A

CUSTOMER:

**PROPRIETARY NOTICE**

THIS DRAWING IS CONFIDENTIAL AND THE PROPERTY OF RPS INDUSTRIES AND IS NOT TO BE REPRODUCED OR SHOWN TO OTHERS WITHOUT THE WRITTEN CONSENT OF RPS INDUSTRIES.

**DO NOT SCALE DRAWINGS FROM THIS SHEET**

LOCATION:

STATION:

EQUIPMENT:

TITLE:

**EQUIPMENT INFORMATION SHEET**

**RPS INDUSTRIES**

**PRECISION SHEET METAL**

11105 SW INDUSTRIAL WAY, BLDG 6, BAY 1  
TUALATIN, OREGON 97062  
PH. 503-691-5972  
WWW.RPSUSA.COM

4

3

2

1

4

3

2

1

PLEASE FILL OUT PUMP INFORMATION SHEET  
AND EMAIL TO RPS INDUSTRIES.

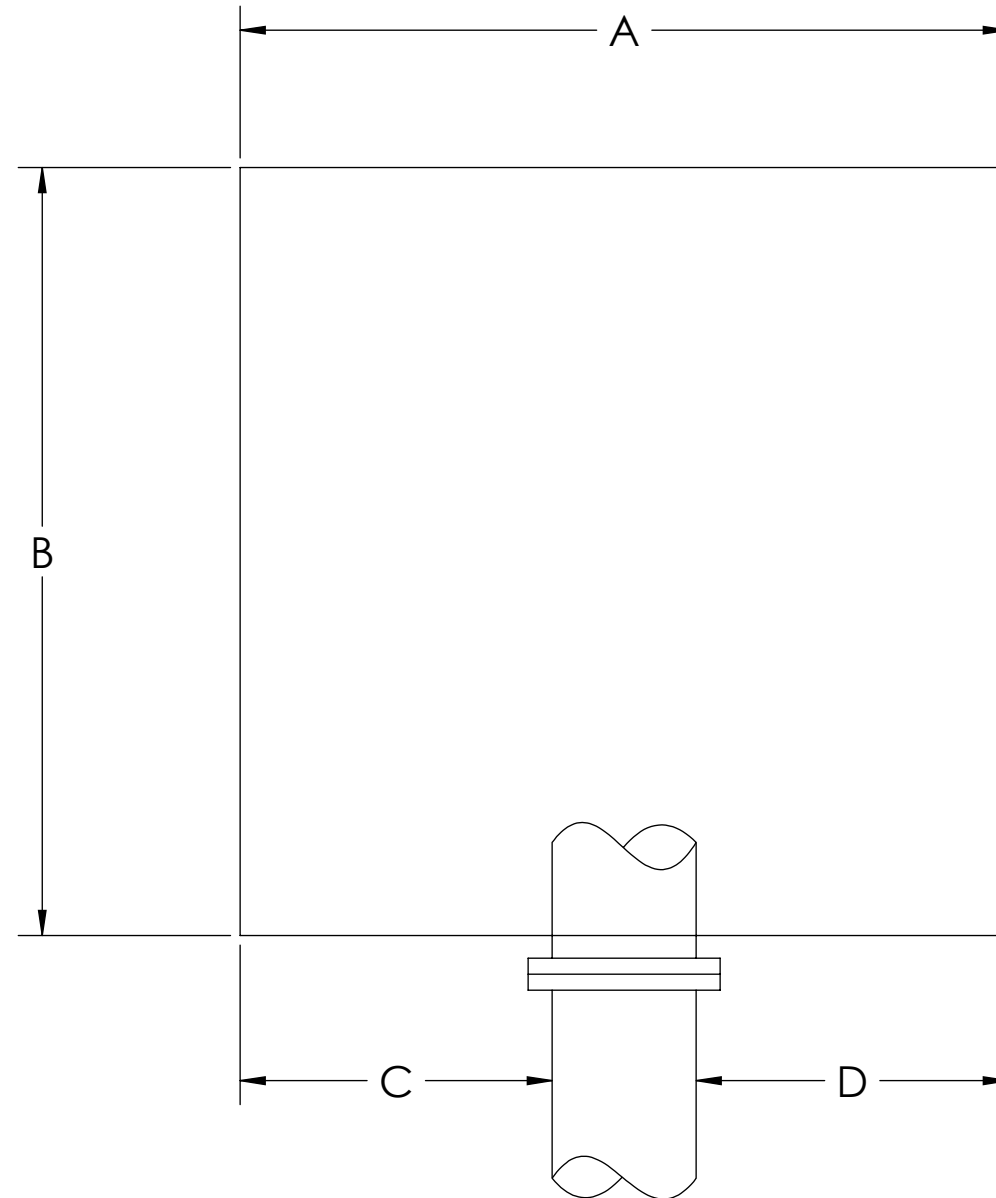
DISCHARGE PIPE  
INFORMATION

A= \_\_\_\_\_

B= \_\_\_\_\_

C= \_\_\_\_\_

D= \_\_\_\_\_



B

B

A

A

CUSTOMER:

**PROPRIETARY NOTICE**

THIS DRAWING IS CONFIDENTIAL AND THE  
PROPERTY OF RPS INDUSTRIES AND IS NOT  
TO BE REPRODUCED OR SHOWN TO OTHERS  
WITHOUT THE WRITTEN CONSENT OF RPS  
INDUSTRIES.

**DO NOT SCALE  
DRAWINGS FROM  
THIS SHEET**

LOCATION:

STATION:

PUMP:

TITLE:

**DISCHARGE PIPE  
INFORMATION SHEET**

**RPS INDUSTRIES**  
**PRECISION SHEET METAL**

11105 SW INDUSTRIAL WAY, BLDG 6, BAY 1  
TUALATIN, OREGON 97062  
PH. 503-691-5972  
WWW.RPSUSA.COM

4

3

2

1

4

3

2

1

PLEASE FILL OUT PUMP INFORMATION SHEET  
AND EMAIL TO RPS INDUSTRIES.

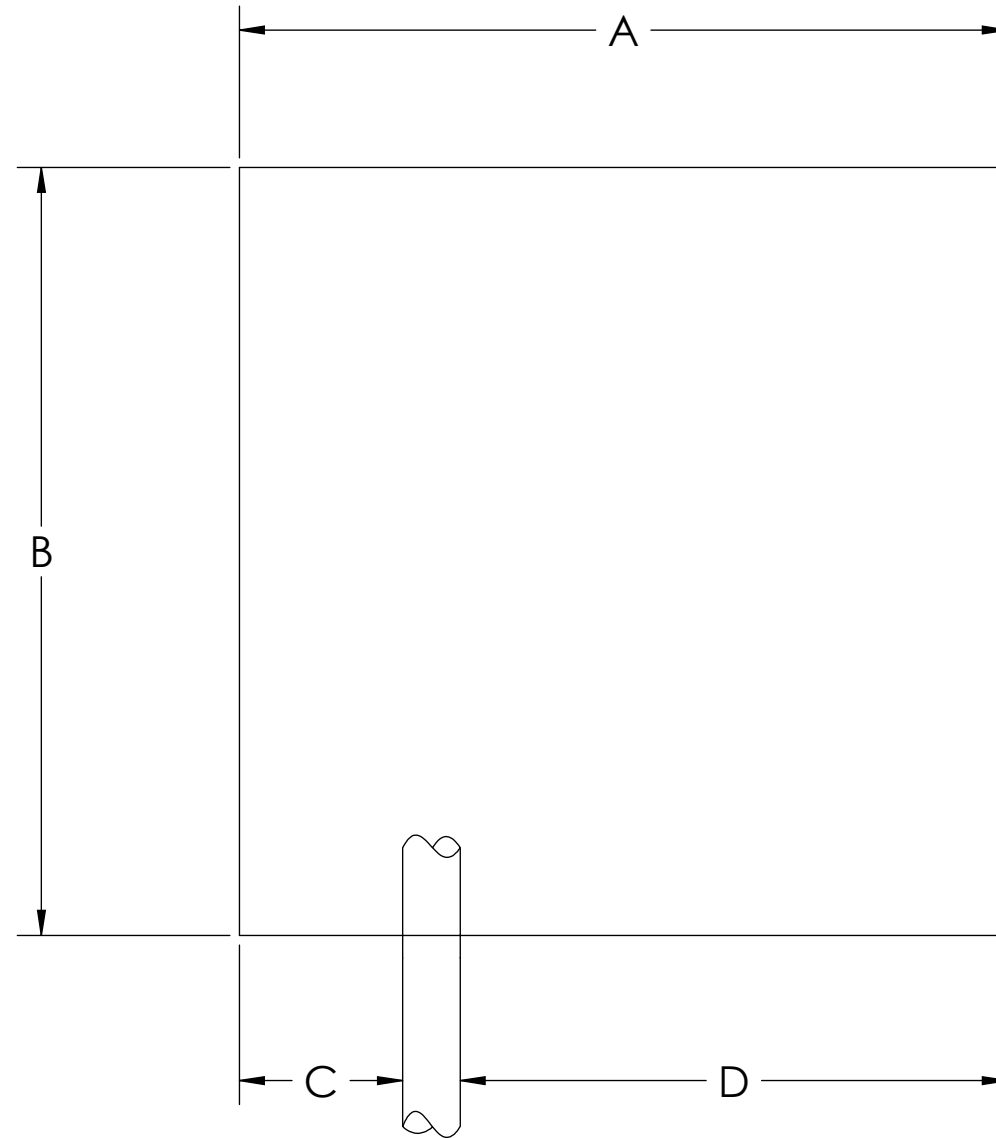
CONDUIT INFORMATION

A= \_\_\_\_\_

B= \_\_\_\_\_

C= \_\_\_\_\_

D= \_\_\_\_\_



B

B

A

A

CUSTOMER:

**PROPRIETARY NOTICE**

THIS DRAWING IS CONFIDENTIAL AND THE  
PROPERTY OF RPS INDUSTRIES AND IS NOT  
TO BE REPRODUCED OR SHOWN TO OTHERS  
WITHOUT THE WRITTEN CONSENT OF RPS  
INDUSTRIES.

**DO NOT SCALE  
DRAWINGS FROM  
THIS SHEET**

LOCATION:

STATION:

PUMP:

TITLE:

**CONDUIT INFORMATION SHEET**

**RPS INDUSTRIES**

**PRECISION SHEET METAL**

11105 SW INDUSTRIAL WAY, BLDG 6, BAY 1  
TUALATIN, OREGON 97062  
PH. 503-691-5972  
WWW.RPSUSA.COM

4

3

2

1