

INSTALLATION INSTRUCTIONS - ACCESS PANELS (DC PANEL)

*REMOVE ALL ACCESS PANELS PRIOR TO ENCLOSURE INSTALLATION
*SPECIFICATIONS VARY PER BUILD

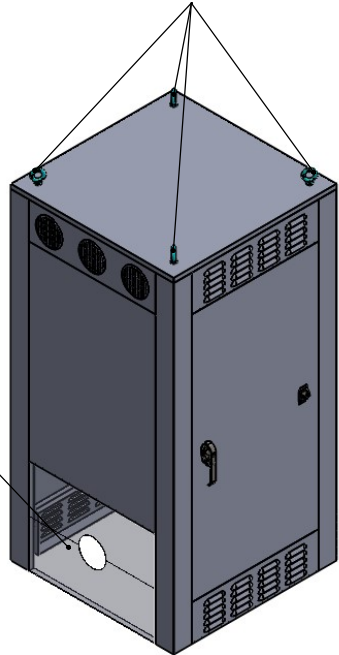
1 REMOVE ALL ACCESS PANELS PRIOR TO ENCLOSURE INSTALLATION (IF PANELS ARE SHIPPED LOOSE LEAVE THEM OFF)

2 FOR COMPLETE ENCLOSURE INSTALLATION INSTRUCTIONS SEE HARD COPY INCLUDED WITH YOUR UNIT

OR

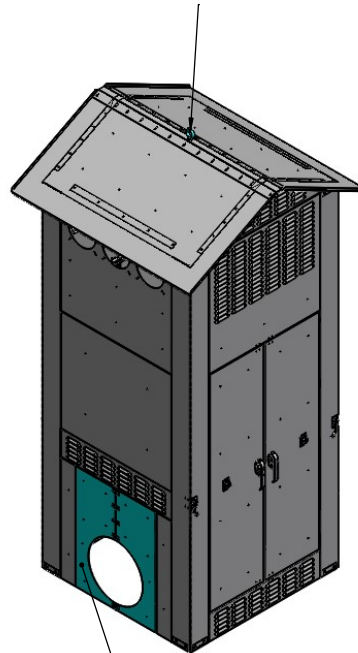
SCAN QR CODE ON YOUR UNIT.

LIFT POINT(S)
(FLAT ROOF)



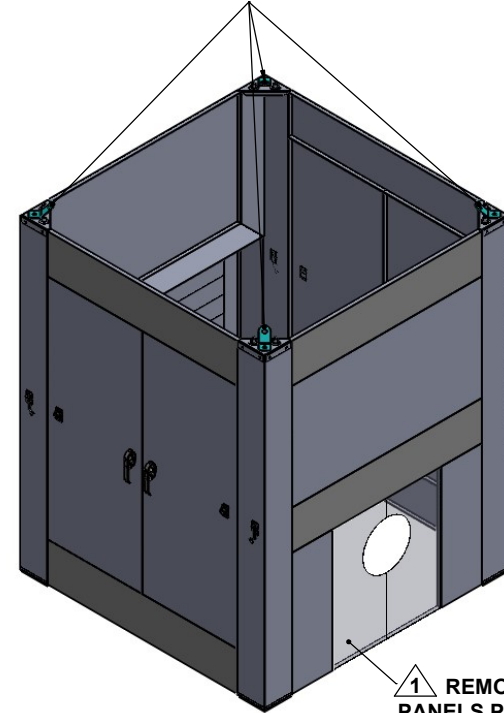
SINGLE UNIT

LIFT POINT(S)
(PITCHED ROOF)



SINGLE UNIT

LIFT POINT(S)
(LOWER MODULE)



STACKING-MODULAR (LOWER UNIT)

1 REMOVE ALL ACCESS PANELS PRIOR TO LIFTING

ACCESS & DC PANEL



SCAN WITH YOUR DEVICE

2 RPS QR CODES

* LOOK FOR STICKERS LOCATED ON YOUR UNIT.
* SCAN CODE WITH YOUR PHONE OR DEVICE.

GENERAL NOTES:

1. THIS DOCUMENT IS FOR INSTALLATION & MAINTENANCE REFERENCE ONLY
2. ENCLOSURE SHALL BE INSTALLED BY CONTRACTOR.
3. THE ENCLOSURE SHALL BE INSTALLED WITH A BOOM TRUCK OR EQUIVALENT.
4. THE CONTRACTOR SHALL NOT DISASSEMBLE PUMP ENCLOSURE FOR OR DURING INSTALLATION.
5. CONCRETE SLAB, ELECTRICAL CONNECTIONS AND ANCHOR BOLTS NOT PROVIDED BY RPS INDUSTRIES.
6. SPECIFICATIONS VARY PER BUILD

ACCESS PANEL / DC

PROPRIETARY NOTICE
THE INFORMATION CONTAINED IN THIS DRAWING IS THE SOLE PROPERTY OF RPS INDUSTRIES. ANY REPRODUCTION IN PART OR AS A WHOLE WITHOUT THE WRITTEN PERMISSION OF RPS INDUSTRIES IS PROHIBITED.

CUSTOMER:

TITLE: INSTALLATION INSTRUCTIONS

RPS INDUSTRIES

PRECISION SHEET METAL
11105 SW INDUSTRIAL WAY, BLDG 6, BAY 1
TUALATIN, OREGON 97062
PH. 503-691-5972
WWW.RPSUSA.COM

DO NOT SCALE DRAWINGS FROM THIS SHEET

DRAWING NO.

DATE: 5/19/2022

DRAWN:

REV:

SHEET 1 OF 3

INSTALLATION INSTRUCTIONS - ACCESS PANELS (DC PANEL)

*REMOVE ALL ACCESS PANELS PRIOR TO ENCLOSURE INSTALLATION

*SPECIFICATIONS VARY PER BUILD

1 DC PANEL COMPONENTS *INSTALLATION HARDWARE INCLUDED

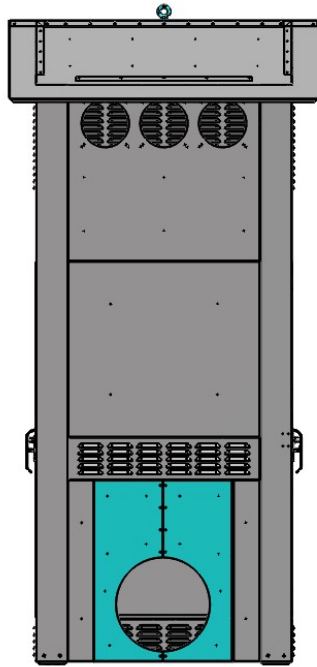
2 SECURE DC PANELS USING ALL PROVIDED HARDWARE. (SHEET 3)

1 CONNECTING BRACKETS (SPECIFICATIONS DIFFER PER DC)

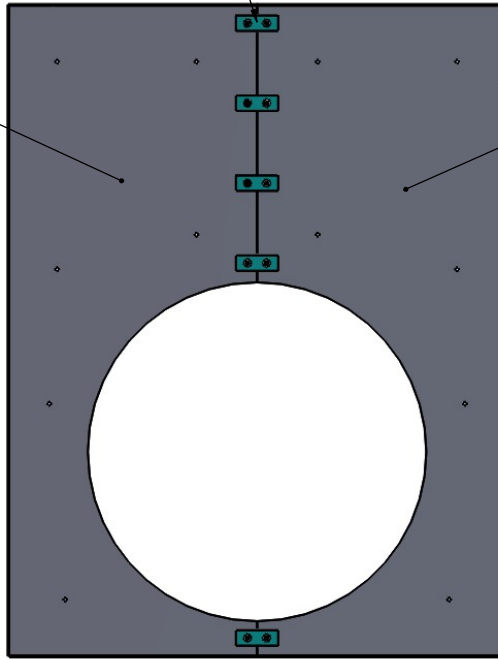
1 LEFT PANEL

1 RIGHT PANEL

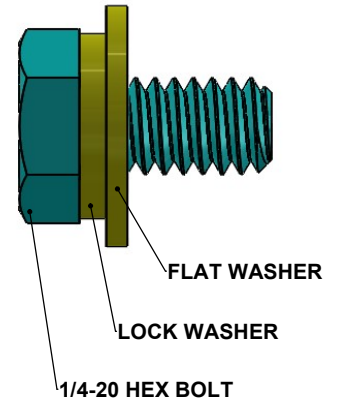
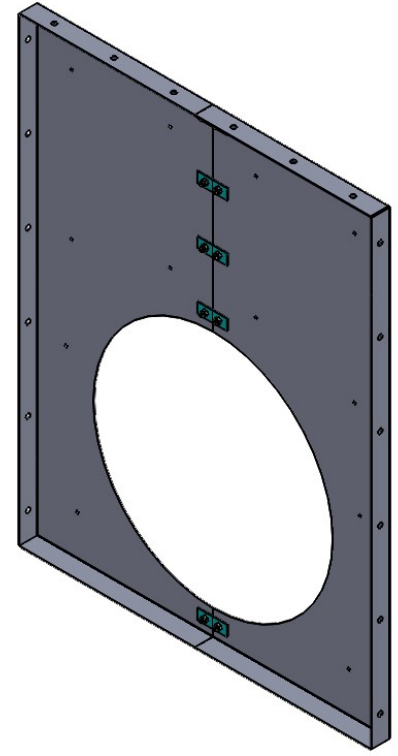
1 ADJOINING PANEL HARDWARE



SINGLE UNIT DC PANEL



DC PANEL INTERNAL VIEW



GENERAL NOTES:

1. THIS DOCUMENT IS FOR INSTALLATION & MAINTENANCE REFERENCE ONLY
2. ENCLOSURE SHALL BE INSTALLED BY CONTRACTOR.
3. THE ENCLOSURE SHALL BE INSTALLED WITH A BOOM TRUCK OR EQUIVALENT.
4. THE CONTRACTOR SHALL NOT DISASSEMBLE PUMP ENCLOSURE FOR OR DURING INSTALLATION.
5. CONCRETE SLAB, ELECTRICAL CONNECTIONS AND ANCHOR BOLTS NOT PROVIDED BY RPS INDUSTRIES.
6. SPECIFICATIONS VARY PER BUILD

ACCESS PANEL / DC

PROPRIETARY NOTICE
 THE INFORMATION CONTAINED IN THIS DRAWING IS THE SOLE PROPERTY OF RPS INDUSTRIES. ANY REPRODUCTION IN PART OR AS A WHOLE WITHOUT THE WRITTEN PERMISSION OF RPS INDUSTRIES IS PROHIBITED.

CUSTOMER:

TITLE: INSTALLATION INSTRUCTIONS

RPS INDUSTRIES

PRECISION SHEET METAL
 11105 SW INDUSTRIAL WAY, BLDG 6, BAY 1
 TUALATIN, OREGON 97062
 PH. 503-691-5972
 WWW.RPSUSA.COM

DO NOT SCALE DRAWINGS FROM THIS SHEET

DRAWING NO.

DATE: 5/19/2022

DRAWN:

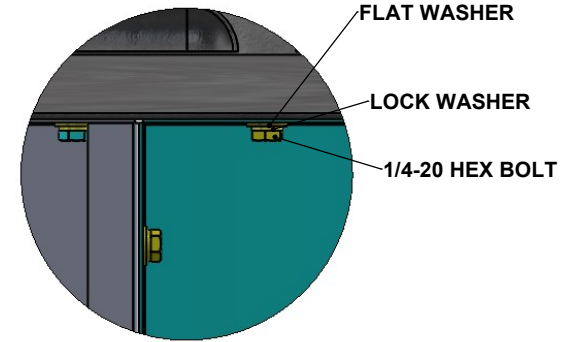
REV:

SHEET 2 OF 3

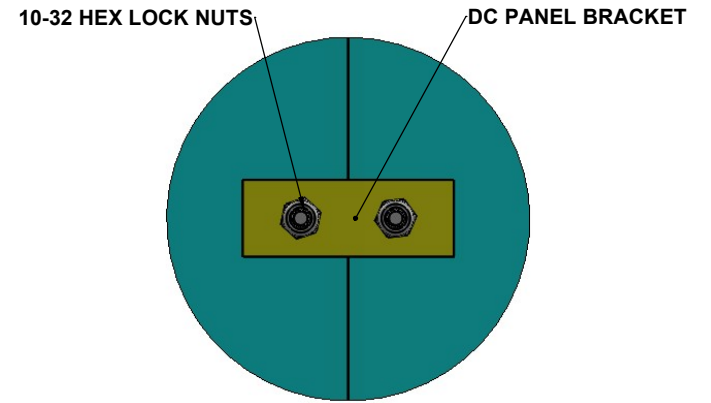
INSTALLATION INSTRUCTIONS - ACCESS PANELS (DC PANEL)

*REMOVE ALL ACCESS PANELS PRIOR TO ENCLOSURE INSTALLATION
*SPECIFICATIONS VARY PER BUILD

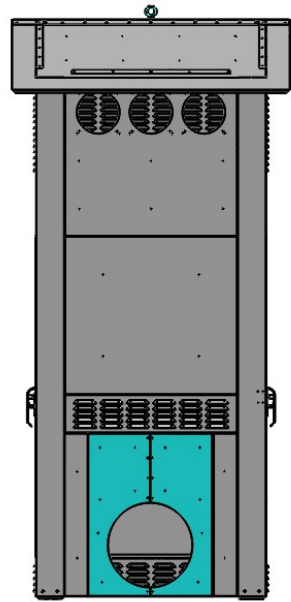
- 1 SECURE DC PANELS TO ADJOINING PANELS. *SECURE LOOSELY OR FINGER-TIGHT
- 2 SECURE DC PANEL BRACKETS TO LEFT AND RIGHT DC PANELS
- 3 FINISH SECURING HARDWARE TO ADJOINING PANEL



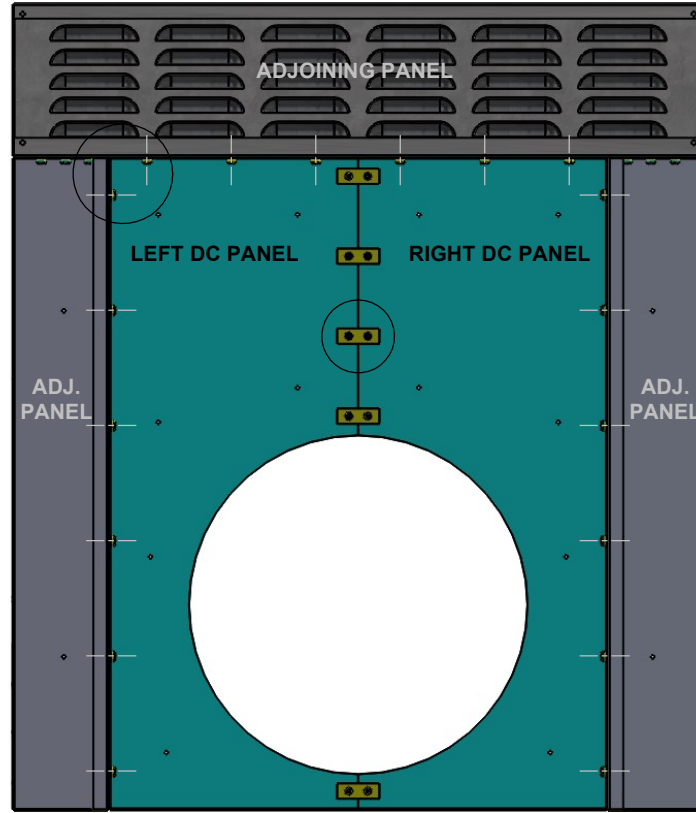
1 HARDWARE DETAIL:
ADJOINING PANELS



2 HARDWARE DETAIL:
DC PANEL BRACKET



SINGLE UNIT DC PANEL



INTERNAL VIEW

GENERAL NOTES:

- 1. THIS DOCUMENT IS FOR INSTALLATION & MAINTENANCE REFERENCE ONLY
- 2. ENCLOSURE SHALL BE INSTALLED BY CONTRACTOR.
- 3. THE ENCLOSURE SHALL BE INSTALLED WITH A BOOM TRUCK OR EQUIVALENT.
- 4. THE CONTRACTOR SHALL NOT DISASSEMBLE PUMP ENCLOSURE FOR OR DURING INSTALLATION.
- 5. CONCRETE SLAB, ELECTRICAL CONNECTIONS AND ANCHOR BOLTS NOT PROVIDED BY RPS INDUSTRIES.
- 6. SPECIFICATIONS VARY PER BUILD

ACCESS PANEL / DC

PROPRIETARY NOTICE
THE INFORMATION CONTAINED IN THIS DRAWING IS THE SOLE PROPERTY OF RPS INDUSTRIES. ANY REPRODUCTION IN PART OR AS A WHOLE WITHOUT THE WRITTEN PERMISSION OF RPS INDUSTRIES IS PROHIBITED.

CUSTOMER:

TITLE: INSTALLATION INSTRUCTIONS

RPS INDUSTRIES

PRECISION SHEET METAL
11105 SW INDUSTRIAL WAY, BLDG 6, BAY 1
TUALATIN, OREGON 97062
PH. 503-691-5972
WWW.RPSUSA.COM

DO NOT SCALE DRAWINGS FROM THIS SHEET

DRAWING NO.

DATE: 5/19/2022

DRAWN:

REV:

SHEET 3 OF 3