

INSTALLATION INSTRUCTIONS

*SPECIFICATIONS VARY PER BUILD

1 REFER TO HARD COPY INSTRUCTIONS INCLUDED WITH YOUR UNIT

OR

2 SCAN QR CODES ON YOUR UNIT

- ① ENCLOSURE INSTALLATION INSTRUCTIONS
- ② LIFTING
- ③ POSITIONING
- ④ LEVELLING
- ⑤ LEVELLING DOORS
- ⑥ SECURING TO FOUNDATION
- ⑦ THERMOSTAT & ELECTRICAL
- ⑧ UPPER MODULE INSTALLATION
- ⑨ UPPER MODULE INSTALLATION - POSITIONING
- ⑩ UPPER MODULE INSTALLATION - COLUMN COUPLER
- ⑪ UPPER MODULE INSTALLATION - COUPLING BRACKET

ENCLOSURE INSTALLATION



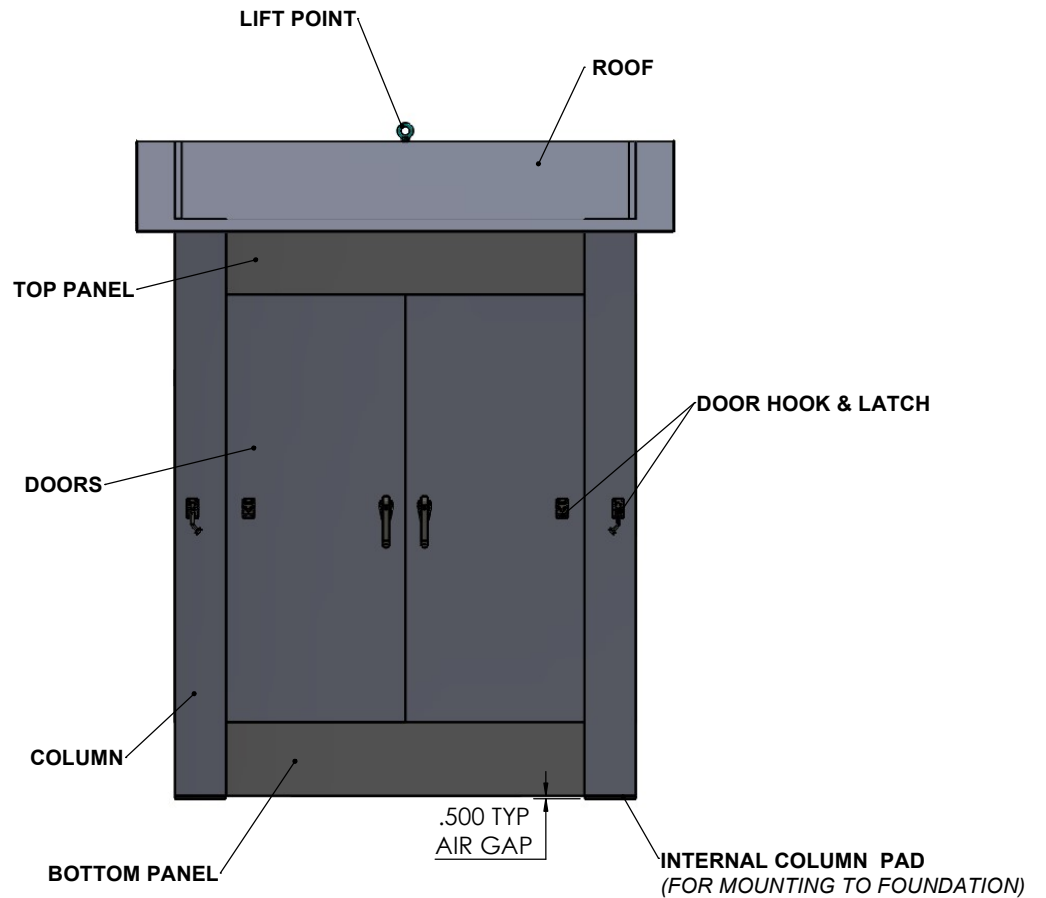
SCAN WITH YOUR DEVICE

2 RPS QR CODES

- * LOOK FOR STICKERS LOCATED ON YOUR UNIT.
- * SCAN CODE WITH YOUR PHONE OR DEVICE.

GENERAL NOTES:

1. THIS DOCUMENT IS FOR INSTALLATION & MAINTENANCE REFERENCE ONLY
2. ENCLOSURE SHALL BE INSTALLED BY CONTRACTOR.
3. THE ENCLOSURE SHALL BE INSTALLED WITH A BOOM TRUCK OR EQUIVALENT.
4. THE CONTRACTOR SHALL NOT DISASSEMBLE PUMP ENCLOSURE FOR OR DURING INSTALLATION.
5. CONCRETE SLAB, ELECTRICAL CONNECTIONS AND ANCHOR BOLTS NOT PROVIDED BY RPS INDUSTRIES.
6. SPECIFICATIONS VARY PER BUILD



ADDITIONAL DOCUMENTS INCLUDED WITH YOUR BUILD:

- * DC / ACCESS PANEL INSTALLATION
- * FAN SPECIFICATIONS & REMOVAL
- * ROOF INSTALLATION & REMOVAL

RPS ENCLOSURES

PROPRIETARY NOTICE THE INFORMATION CONTAINED IN THIS DRAWING IS THE SOLE PROPERTY OF RPS INDUSTRIES. ANY REPRODUCTION IN PART OR AS A WHOLE WITHOUT THE WRITTEN PERMISSION OF RPS INDUSTRIES IS PROHIBITED.		CUSTOMER:	RPS INDUSTRIES PRECISION SHEET METAL 11105 SW INDUSTRIAL WAY, BLDG 6, BAY 1 TUALATIN, OREGON 97062 PH. 503-691-5972 WWW.RPSUSA.COM			
		TITLE: INSTALLATION INSTRUCTIONS				
DO NOT SCALE DRAWINGS FROM THIS SHEET		DRAWING NO.	DATE: 5/19/2022	DRAWN: AJ	REV:	SHEET 1 OF 11

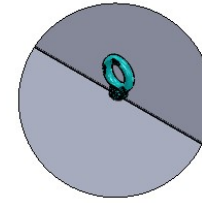
INSTALLATION INSTRUCTIONS - LIFTING

*LIFT USING ALL PREINSTALLED LIFT POINTS

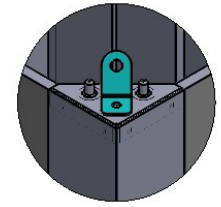
*MULTI-POINT LIFTING RECOMMENDED ANGLE IS 45°

*SPECIFICATIONS VARY PER BUILD

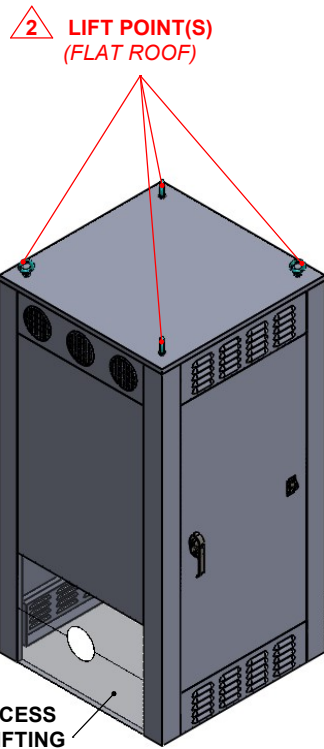
- 1 REMOVE ALL ACCESS PANELS PRIOR TO LIFTING (IF PANELS ARE SHIPPED LOOSE LEAVE THEM OFF)
- 2 LIFT USING ALL AVAILABLE LIFT POINTS *SPECIFICATIONS DIFFER PER BUILD
- 3 LOWER THE BUILDING TO FOUNDATION THEN LEVEL & SECURE (SHEETS 3-6)



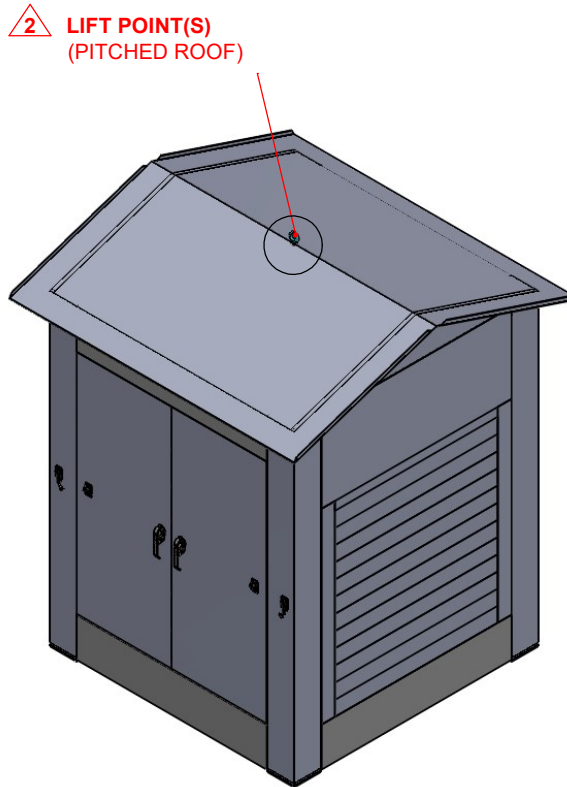
LIFTING EYE(S)
(PREINSTALLED)



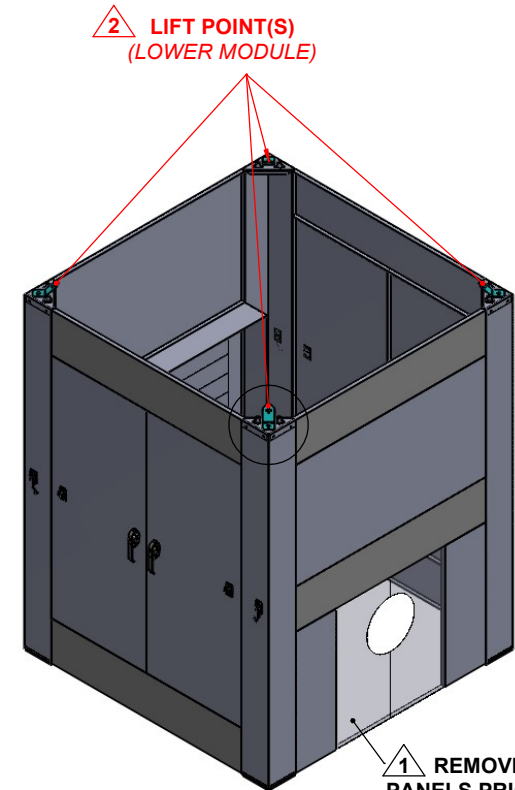
LIFTING BRACKETS
(PREINSTALLED)



SINGLE UNIT



SINGLE UNIT



STACKING-MODULAR (LOWER UNIT)

GENERAL NOTES:

- 1. THIS DOCUMENT IS FOR INSTALLATION & MAINTENANCE REFERENCE ONLY
- 2. ENCLOSURE SHALL BE INSTALLED BY CONTRACTOR.
- 3. THE ENCLOSURE SHALL BE INSTALLED WITH A BOOM TRUCK OR EQUIVALENT.
- 4. THE CONTRACTOR SHALL NOT DISASSEMBLE PUMP ENCLOSURE FOR OR DURING INSTALLATION.
- 5. CONCRETE SLAB, ELECTRICAL CONNECTIONS AND ANCHOR BOLTS NOT PROVIDED BY RPS INDUSTRIES.
- 6. SPECIFICATIONS VARY PER BUILD

LIFTING

PROPRIETARY NOTICE
 THE INFORMATION CONTAINED IN THIS DRAWING IS THE SOLE PROPERTY OF RPS INDUSTRIES. ANY REPRODUCTION IN PART OR AS A WHOLE WITHOUT THE WRITTEN PERMISSION OF RPS INDUSTRIES IS PROHIBITED.

CUSTOMER:

TITLE: INSTALLATION INSTRUCTIONS

RPS INDUSTRIES

PRECISION SHEET METAL
 11105 SW INDUSTRIAL WAY, BLDG 6, BAY 1
 TUALATIN, OREGON 97062
 PH. 503-691-5972
 WWW.RPSUSA.COM

4

3

2

1

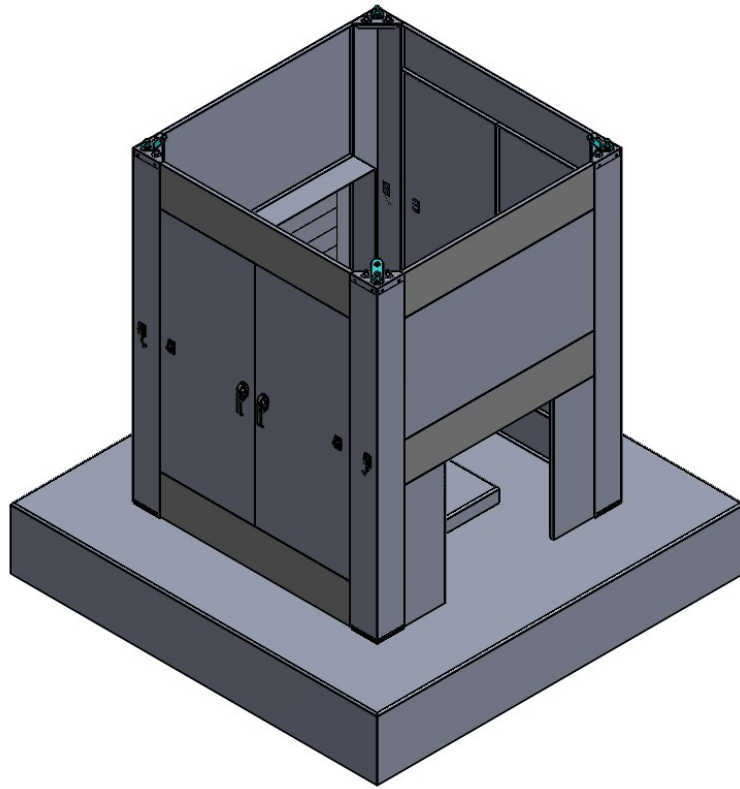
INSTALLATION INSTRUCTIONS - POSITIONING

*LIFT USING ALL PREINSTALLED LIFT POINTS

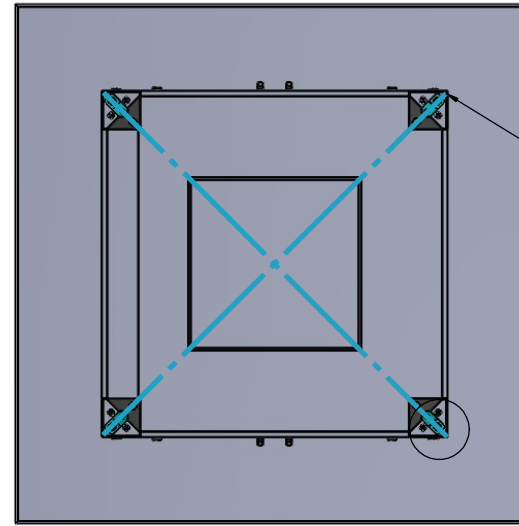
*SPECIFICATIONS VARY PER BUILD

1 **SQUARE YOUR BUILDING ON IT'S FOUNDATION PRIOR TO LEVELLING (SHEET 4)**

2 **CHECK YOUR BUILDING IS SQUARE BY MEASURING INTERNAL CROSS SECTIONS.**

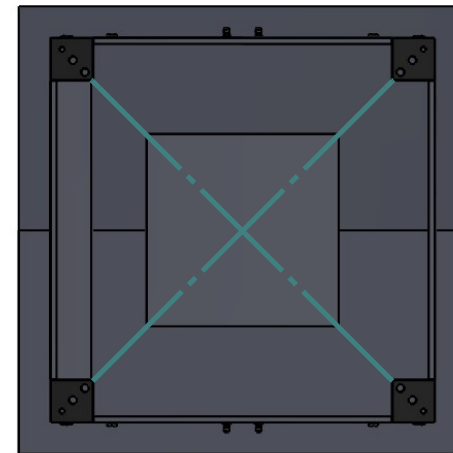


STACKING-MODULAR (LOWER UNIT ON PEDESTAL)



TOP VIEW

2 **MEASURE INTERNAL CROSS SECTIONS TO CHECK THE BUILDING IS SQUARED.**



BOTTOM VIEW

GENERAL NOTES:

1. THIS DOCUMENT IS FOR INSTALLATION & MAINTENANCE REFERENCE ONLY
2. ENCLOSURE SHALL BE INSTALLED BY CONTRACTOR.
3. THE ENCLOSURE SHALL BE INSTALLED WITH A BOOM TRUCK OR EQUIVALENT.
4. THE CONTRACTOR SHALL NOT DISASSEMBLE PUMP ENCLOSURE FOR OR DURING INSTALLATION.
5. CONCRETE SLAB, ELECTRICAL CONNECTIONS AND ANCHOR BOLTS NOT PROVIDED BY RPS INDUSTRIES.
6. SPECIFICATIONS VARY PER BUILD

POSITIONING

PROPRIETARY NOTICE
 THE INFORMATION CONTAINED IN THIS DRAWING IS THE SOLE PROPERTY OF RPS INDUSTRIES. ANY REPRODUCTION IN PART OR AS A WHOLE WITHOUT THE WRITTEN PERMISSION OF RPS INDUSTRIES IS PROHIBITED.

CUSTOMER:

TITLE: **INSTALLATION INSTRUCTIONS**

RPS INDUSTRIES

PRECISION SHEET METAL
 11105 SW INDUSTRIAL WAY, BLDG 6, BAY 1
 TUALATIN, OREGON 97062
 PH. 503-691-5872
 WWW.RPSUSA.COM

DO NOT SCALE DRAWINGS FROM THIS SHEET

DRAWING NO.

DATE: 5/19/2022

DRAWN: AJ

REV:

SHEET 3 OF 11

4

3

2

1

D

D

C

C

B

B

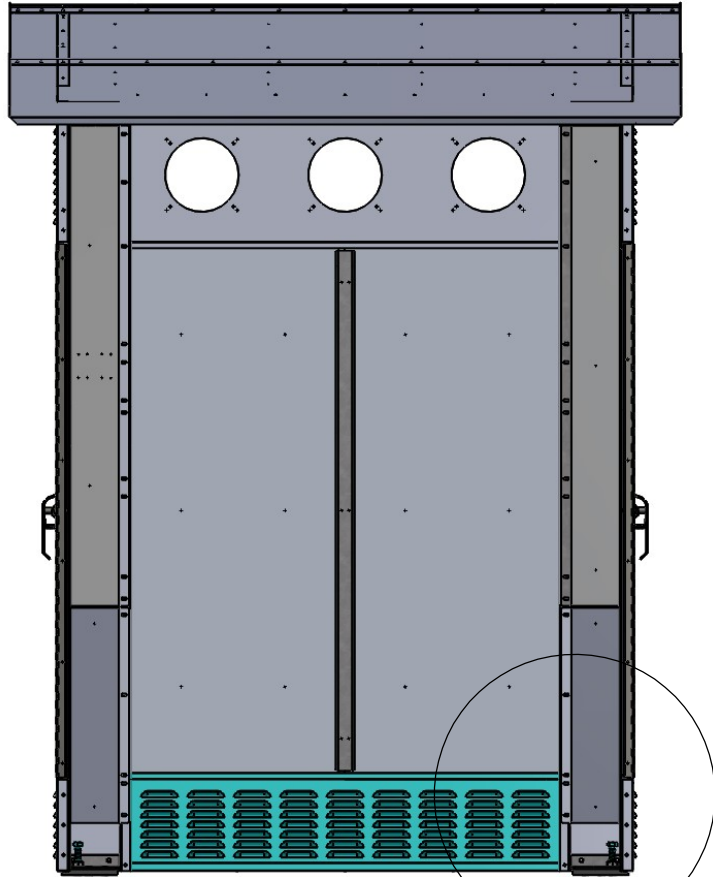
A

A

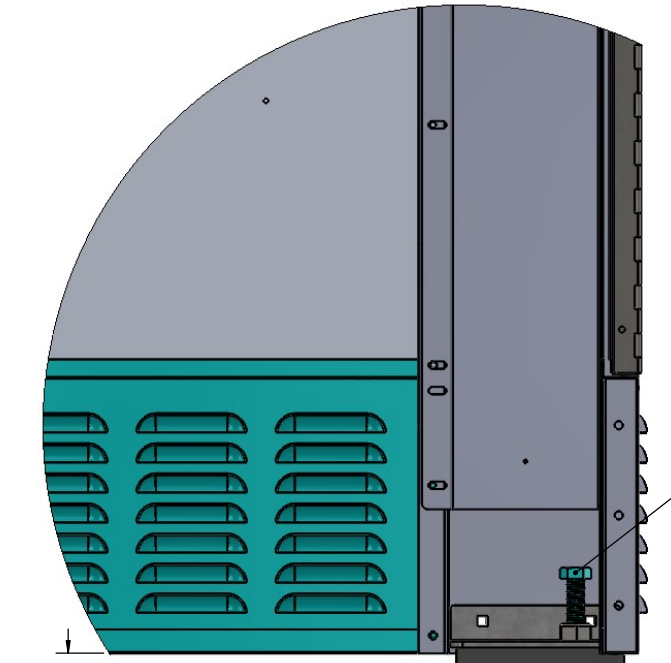
INSTALLATION INSTRUCTIONS - LEVELLING

*SPECIFICATIONS VARY PER BUILD

1 ADJUST ALL INTERNAL LEVELLING BOLTS UNTIL YOUR ENCLOSURE IS LEVEL
USE THE PROVIDED SHIM KIT, IF NEEDED. (MORE ON SHEET 5)



INTERNAL COLUMN VIEW



**.500 TYP
AIR GAP**

**ENSURE ALL BOTTOM PANELS
DO NOT MAKE CONTACT WITH THE FOUNDATION**

1
**ADJUST 3/4-10 HEX BOLT
ON ALL COLUMNS TO LEVEL BUILDING**
**USE PROVIDED SHIM KIT IF NEEDED*

GENERAL NOTES:

1. THIS DOCUMENT IS FOR INSTALLATION & MAINTENANCE REFERENCE ONLY
2. ENCLOSURE SHALL BE INSTALLED BY CONTRACTOR.
3. THE ENCLOSURE SHALL BE INSTALLED WITH A BOOM TRUCK OR EQUIVALENT.
4. THE CONTRACTOR SHALL NOT DISASSEMBLE PUMP ENCLOSURE FOR OR DURING INSTALLATION.
5. CONCRETE SLAB, ELECTRICAL CONNECTIONS AND ANCHOR BOLTS NOT PROVIDED BY RPS INDUSTRIES.
6. SPECIFICATIONS VARY PER BUILD

LEVELLING

PROPRIETARY NOTICE
THE INFORMATION CONTAINED IN THIS DRAWING IS THE SOLE PROPERTY OF RPS INDUSTRIES. ANY REPRODUCTION IN PART OR AS A WHOLE WITHOUT THE WRITTEN PERMISSION OF RPS INDUSTRIES IS PROHIBITED.

CUSTOMER:

TITLE: **INSTALLATION INSTRUCTIONS**

RPS INDUSTRIES
PRECISION SHEET METAL
11105 SW INDUSTRIAL WAY, BLDG 6, BAY 1
TUALATIN, OREGON 97062
PH. 503-691-5872
WWW.RPSUSA.COM

DO NOT SCALE DRAWINGS FROM THIS SHEET

DRAWING NO.

DATE: 5/19/2022

DRAWN: AJ

REV:

SHEET 4 OF 11

INSTALLATION INSTRUCTIONS - LEVELLING DOORS

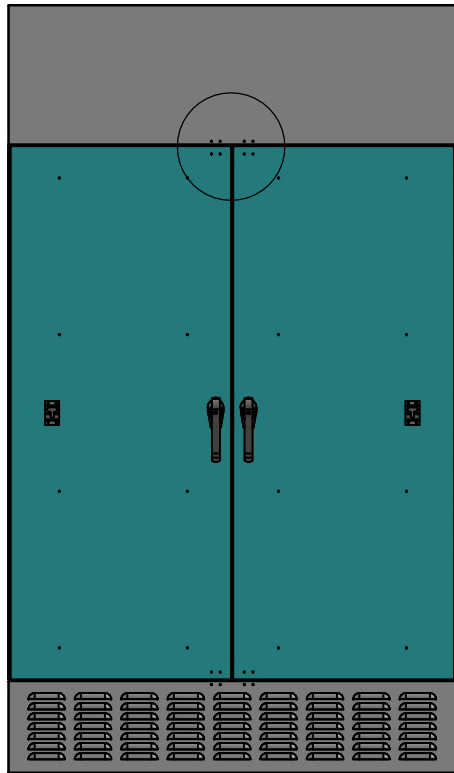
**SPECIFICATIONS VARY PER BUILD*

1 ENSURE PROPER ENGAGEMENT BETWEEN **DOOR HANDLE RODS** AND ADJOINING PANELS.
**IF THERE IS CONTACT BETWEEN ROD AND ADJOINING PANEL, CHECK THAT YOUR ENCLOSURE IS LEVEL.*

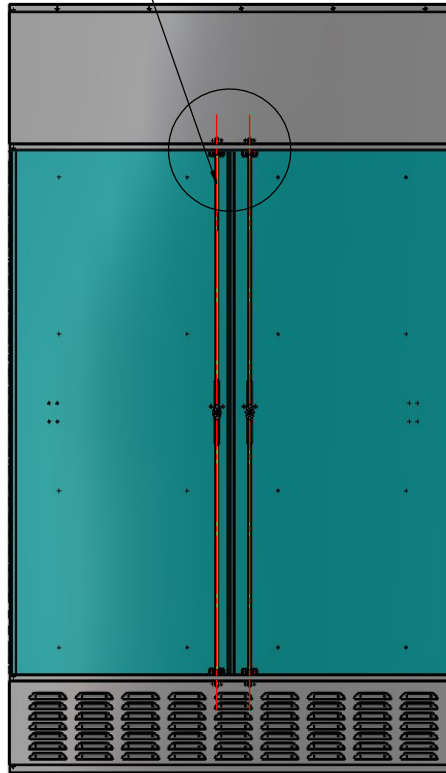
2 VISUALLY INSPECT ALL DOOR GAPS.

2 ENSURE DOORS ARE SPACED IN AN EVEN T-SHAPE

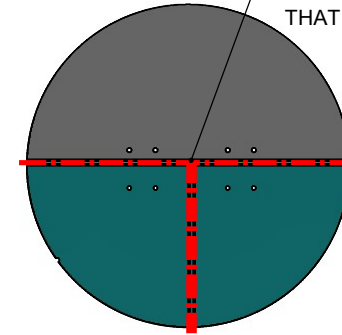
** IF DOOR SPACE IS UNEVEN, CHECK THAT YOUR ENCLOSURE IS LEVEL*



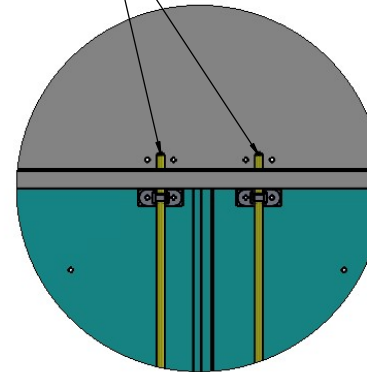
DOOR HANDLE RODS



EXTERNAL DETAILS: DOOR GAPS



1 LEVELLING YOUR BUILDING WILL ENSURE PROPER ENGAGEMENT BETWEEN DOOR HANDLE ROD AND ADJOINING PANEL



INTERNAL DETAILS: DOOR RODS

GENERAL NOTES:

1. THIS DOCUMENT IS FOR INSTALLATION & MAINTENANCE REFERENCE ONLY
2. ENCLOSURE SHALL BE INSTALLED BY CONTRACTOR.
3. THE ENCLOSURE SHALL BE INSTALLED WITH A BOOM TRUCK OR EQUIVALENT.
4. THE CONTRACTOR SHALL NOT DISASSEMBLE PUMP ENCLOSURE FOR OR DURING INSTALLATION.
5. CONCRETE SLAB, ELECTRICAL CONNECTIONS AND ANCHOR BOLTS NOT PROVIDED BY RPS INDUSTRIES.
6. SPECIFICATIONS VARY PER BUILD

LEVELLING DOORS

PROPRIETARY NOTICE
 THE INFORMATION CONTAINED IN THIS DRAWING IS THE SOLE PROPERTY OF RPS INDUSTRIES. ANY REPRODUCTION IN PART OR AS A WHOLE WITHOUT THE WRITTEN PERMISSION OF RPS INDUSTRIES IS PROHIBITED.

CUSTOMER:

TITLE: **INSTALLATION INSTRUCTIONS**

RPS INDUSTRIES

PRECISION SHEET METAL
 11105 SW INDUSTRIAL WAY, BLDG 6, BAY 1
 TUALATIN, OREGON 97062
 PH. 503-691-5972
 WWW.RPSUSA.COM

DO NOT SCALE DRAWINGS FROM THIS SHEET

DRAWING NO.

DATE: 5/19/2022

DRAWN: AJ

REV:

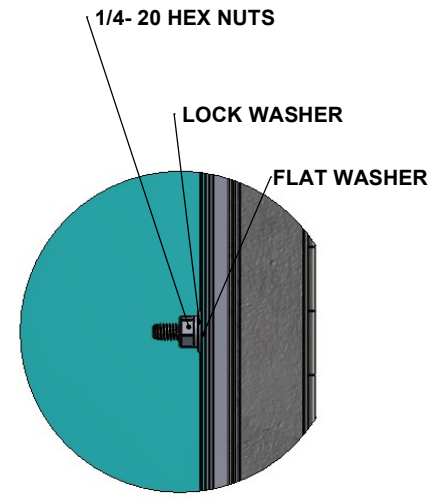
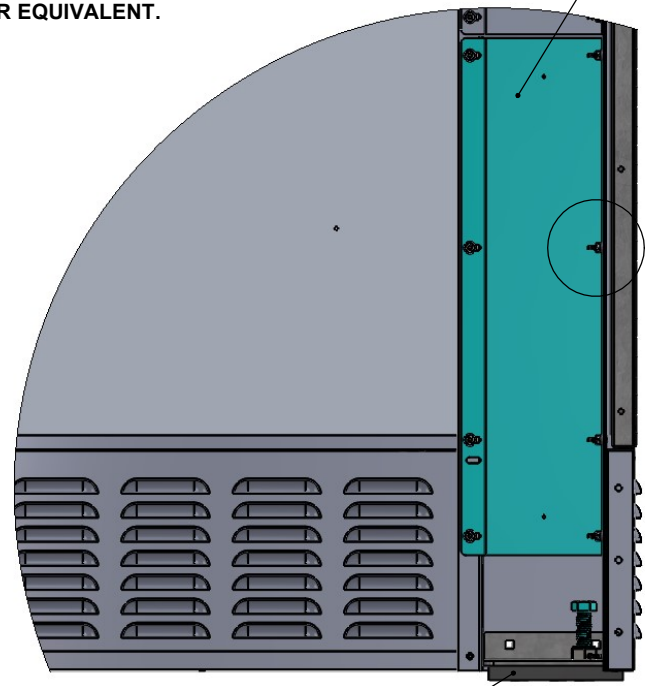
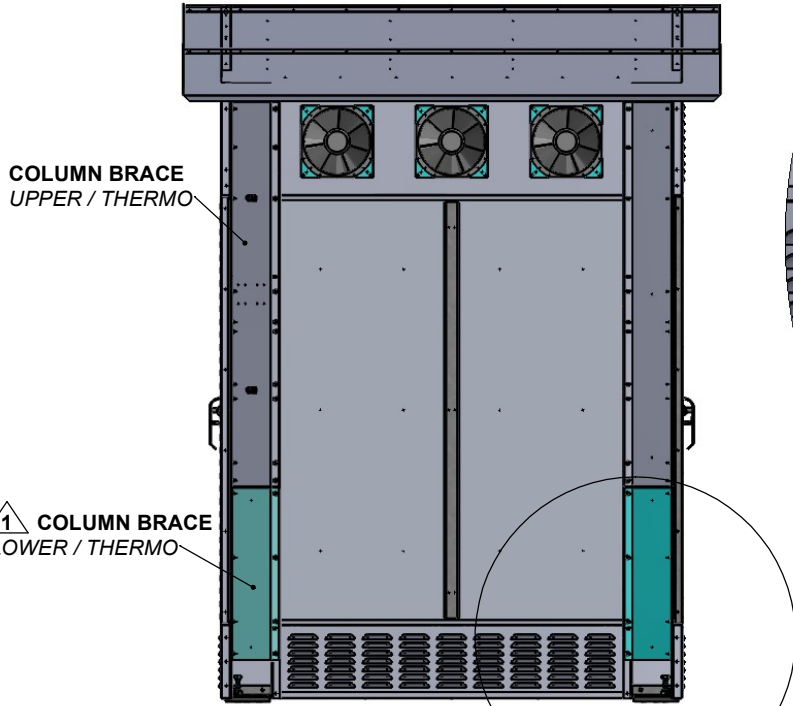
SHEET 5 OF 11

INSTALLATION INSTRUCTIONS - SECURING TO FOUNDATION

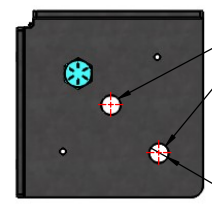
*SPECIFICATIONS VARY PER BUILD

- 1 REMOVE THE LOWER INTERNAL BRACE ON ALL COLUMNS AND SET ASIDE.
- 2 SECURE THE BUILDING TO FOUNDATION WITH ANCHOR BOLTS OR EQUIVALENT.
- 3 RE-FASTEN ALL INTERNAL BRACING TO COLUMNS.

- 1 REMOVE LOWER COLUMN BRACE BY UNFASTENING ALL PERIPHERAL HARDWARE



HARDWARE DETAIL



COLUMN PAD (TOP VIEW)

- 2 INSTALL YOUR ANCHOR BOLTS THROUGH ONE HOLE IN EACH COLUMN PAD. * LARGE PADS HAVE TWO HOLES IN CASE OF REBAR.

INTERNAL COLUMN VIEW

GENERAL NOTES:

1. THIS DOCUMENT IS FOR INSTALLATION & MAINTENANCE REFERENCE ONLY
2. ENCLOSURE SHALL BE INSTALLED BY CONTRACTOR.
3. THE ENCLOSURE SHALL BE INSTALLED WITH A BOOM TRUCK OR EQUIVALENT.
4. THE CONTRACTOR SHALL NOT DISASSEMBLE PUMP ENCLOSURE FOR OR DURING INSTALLATION.
5. CONCRETE SLAB, ELECTRICAL CONNECTIONS AND ANCHOR BOLTS NOT PROVIDED BY RPS INDUSTRIES.
6. SPECIFICATIONS VARY PER BUILD

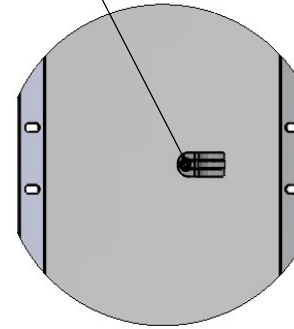
SECURING TO FOUNDATION			
<p>PROPRIETARY NOTICE THE INFORMATION CONTAINED IN THIS DRAWING IS THE SOLE PROPERTY OF RPS INDUSTRIES. ANY REPRODUCTION IN PART OR AS A WHOLE WITHOUT THE WRITTEN PERMISSION OF RPS INDUSTRIES IS PROHIBITED.</p>		<p>CUSTOMER:</p>	
		<p>TITLE: INSTALLATION INSTRUCTIONS</p>	
<p>DO NOT SCALE DRAWINGS FROM THIS SHEET</p>		<p>DRAWING NO.</p>	<p>DATE: 5/19/2022</p>
		<p>DRAWN: AJ</p>	<p>REV:</p>
		<p>RPS INDUSTRIES PRECISION SHEET METAL 11105 SW INDUSTRIAL WAY, BLDG 6, BAY 1 TUALATIN, OREGON 97062 PH. 503-691-5872 WWW.RPSUSA.COM</p>	
		<p>SHEET 6 OF 11</p>	

THERMOSTAT MOUNT & COLUMN BRACE DETAILS

*ALL HARDWARE IS FASTENED FROM INSIDE OF BUILDING.
 *SPECIFICATIONS VARY PER BUILD.

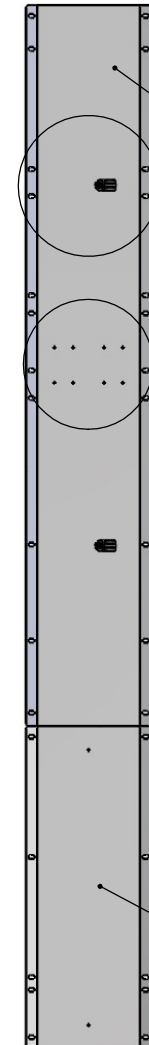
- 1 THERMOSTAT IS SHIPPED LOOSE.
- 2 INTERNAL COLUMN BRACE UPPER & LOWER THERMO WITH ELECTRICAL & THERMOSTAT MOUNTS
- 3 INTERNAL COLUMN BRACE UPPER & LOWER

10-32 HEX LOCKNUT



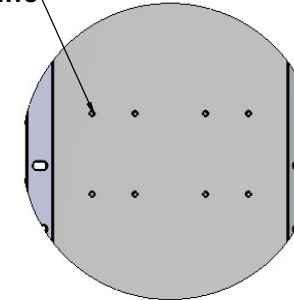
JIFFY CLIPS (X2)

* FOR MOUNTING THERMOSTAT & ELECTRICAL COMPONENTS.



2 COLUMN BRACE UPPER / THERMO

6-32x 1/2 CAP SCREWS



THERMOSTAT MOUNT (X2)

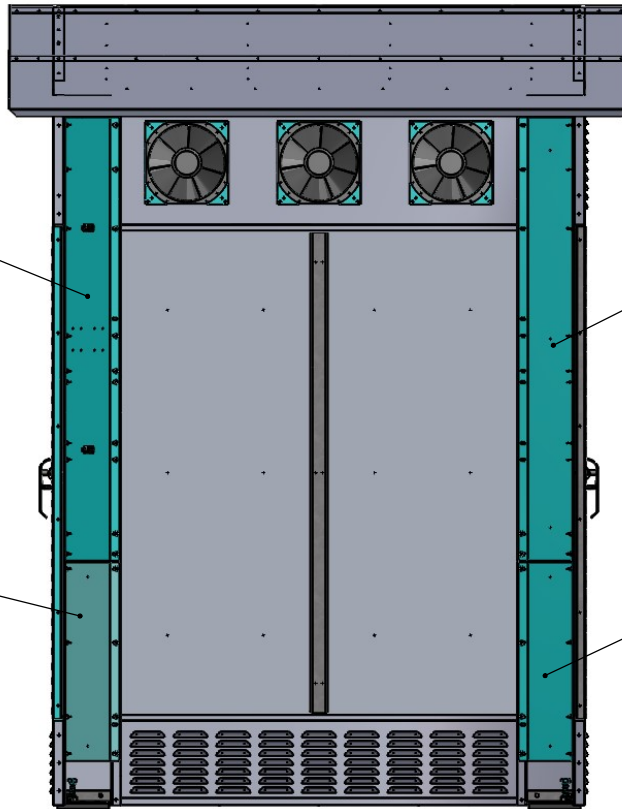
2 COLUMN BRACE LOWER / THERMO

2 COLUMN BRACE UPPER / THERMO

3 COLUMN BRACE UPPER

2 COLUMN BRACE LOWER / THERMO

3 COLUMN BRACE LOWER



INTERNAL COLUMN VIEW

GENERAL NOTES:

1. THIS DOCUMENT IS FOR INSTALLATION & MAINTENANCE REFERENCE ONLY
2. ENCLOSURE SHALL BE INSTALLED BY CONTRACTOR.
3. THE ENCLOSURE SHALL BE INSTALLED WITH A BOOM TRUCK OR EQUIVALENT.
4. THE CONTRACTOR SHALL NOT DISASSEMBLE PUMP ENCLOSURE FOR OR DURING INSTALLATION.
5. CONCRETE SLAB, ELECTRICAL CONNECTIONS AND ANCHOR BOLTS NOT PROVIDED BY RPS INDUSTRIES.
6. SPECIFICATIONS VARY PER BUILD

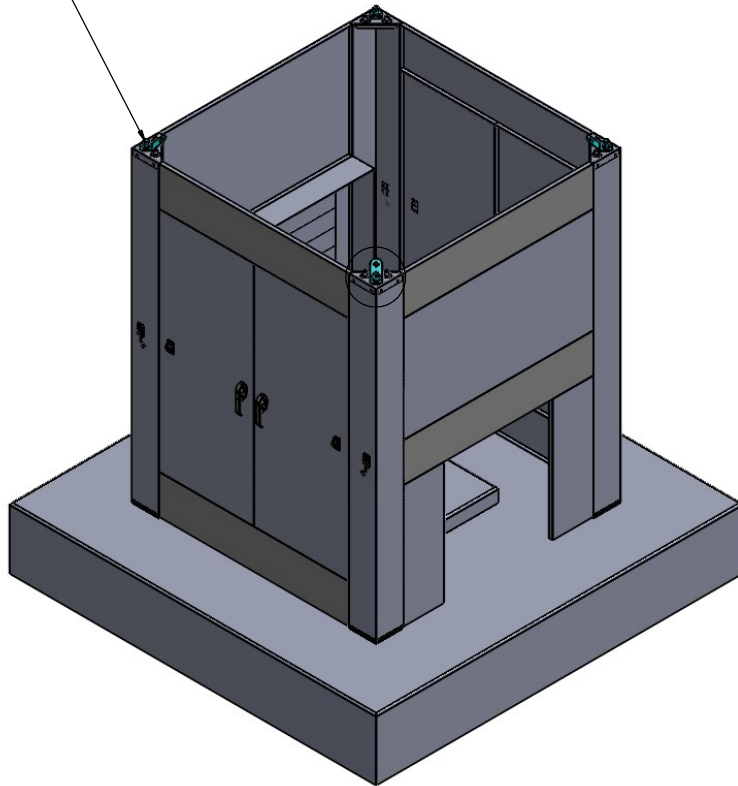
INTERNAL COLUMN BRACE			
<p>PROPRIETARY NOTICE THE INFORMATION CONTAINED IN THIS DRAWING IS THE SOLE PROPERTY OF RPS INDUSTRIES. ANY REPRODUCTION IN PART OR AS A WHOLE WITHOUT THE WRITTEN PERMISSION OF RPS INDUSTRIES IS PROHIBITED.</p>		CUSTOMER:	
		TITLE: INSTALLATION INSTRUCTIONS	
<p>RPS INDUSTRIES PRECISION SHEET METAL 11105 SW INDUSTRIAL WAY, BLDG 6, BAY 1 TUALATIN, OREGON 97062 PH. 503-691-5872 WWW.RPSUSA.COM</p>			
DO NOT SCALE DRAWINGS FROM THIS SHEET		DRAWING NO.	DATE: 5/19/2022
		DRAWN: AJ	REV:
		SHEET 7 OF 11	

INSTALLATION INSTRUCTIONS- UPPER MODULE INSTALLATION

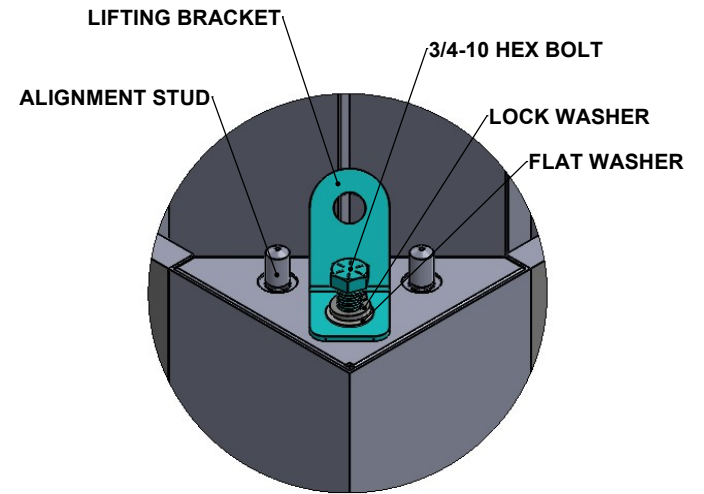
**THIS STEP ONLY APPLIES TO STACKING-MODULAR UNITS*

- 1 AFTER POSITIONING YOUR LOWER UNIT TO IT'S FOUNDATION: REMOVE ALL LIFTING BRACKET HARDWARE.
**SAVE HARDWARE FOR INSTALLING UPPER MODULES*
- 2 POSITION THE UPPER MODULE OVER THE LOWER MODULE AND ENGAGE ALIGNMENT STUDS (FOUND ON THE LOWER MODULE COLUMNS) WITH RECEIVING COUPLERS. (SHEET 9)

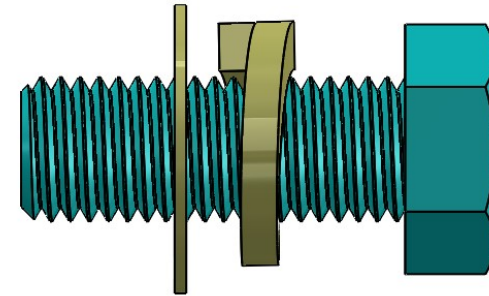
- 1 REMOVE ALL LIFTING BRACKETS PRIOR TO MOUNTING UPPER MODULE.
**SAVE HARDWARE FOR NEXT STEP.*



STACKING-MODULAR (LOWER UNIT ON PEDESTAL)



HARDWARE DETAILS



- 1 SAVE HEX BOLT AND WASHERS

GENERAL NOTES:

- 1. THIS DOCUMENT IS FOR INSTALLATION & MAINTENANCE REFERENCE ONLY
- 2. ENCLOSURE SHALL BE INSTALLED BY CONTRACTOR.
- 3. THE ENCLOSURE SHALL BE INSTALLED WITH A BOOM TRUCK OR EQUIVALENT.
- 4. THE CONTRACTOR SHALL NOT DISASSEMBLE PUMP ENCLOSURE FOR OR DURING INSTALLATION.
- 5. CONCRETE SLAB, ELECTRICAL CONNECTIONS AND ANCHOR BOLTS NOT PROVIDED BY RPS INDUSTRIES.
- 6. SPECIFICATIONS VARY PER BUILD

POSITIONING

PROPRIETARY NOTICE
 THE INFORMATION CONTAINED IN THIS DRAWING IS THE SOLE PROPERTY OF RPS INDUSTRIES. ANY REPRODUCTION IN PART OR AS A WHOLE WITHOUT THE WRITTEN PERMISSION OF RPS INDUSTRIES IS PROHIBITED.

CUSTOMER:

TITLE: **INSTALLATION INSTRUCTIONS**

RPS INDUSTRIES

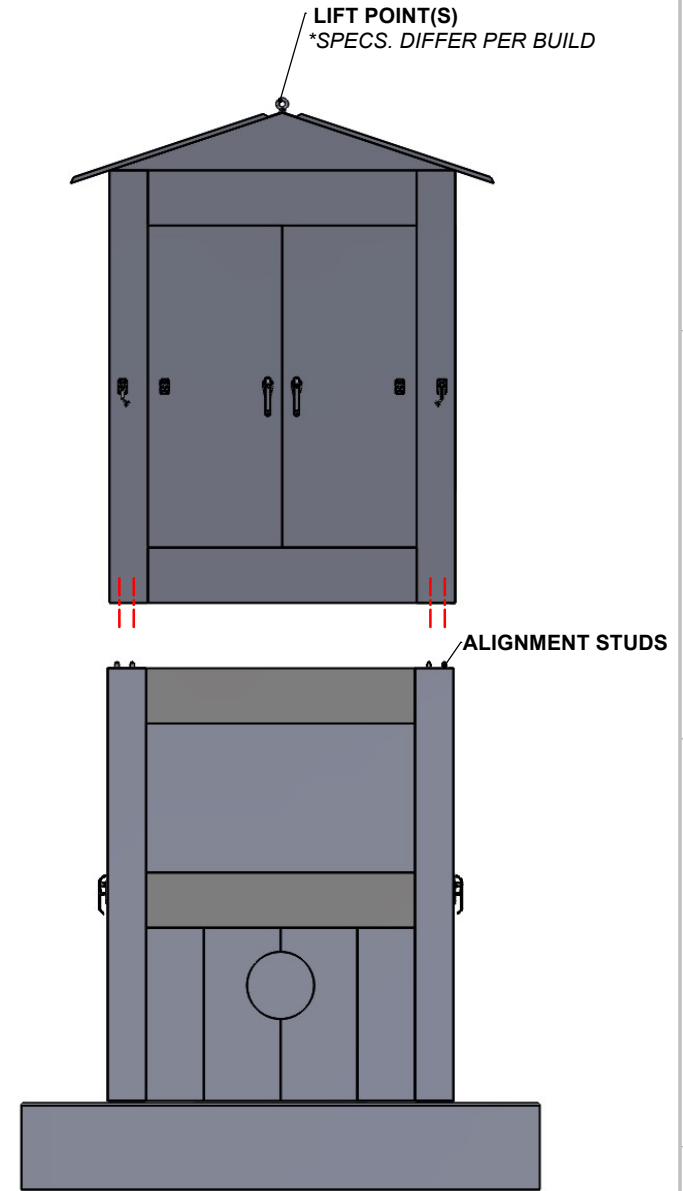
PRECISION SHEET METAL
 11105 SW INDUSTRIAL WAY, BLDG 6, BAY 1
 TUALATIN, OREGON 97062
 PH. 503-691-5872
 WWW.RPSUSA.COM

INSTALLATION INSTRUCTIONS - UPPER MODULE INSTALLATION

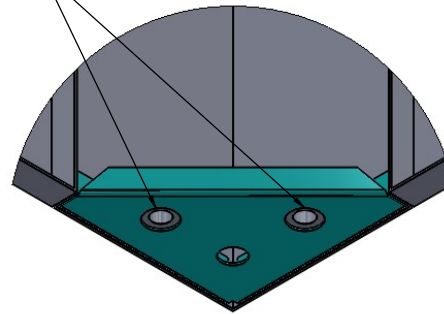
**THIS STEP ONLY APPLIES TO STACKING-MODULAR UNITS*

**LIFT USING ALL PREINSTALLED LIFT POINTS*

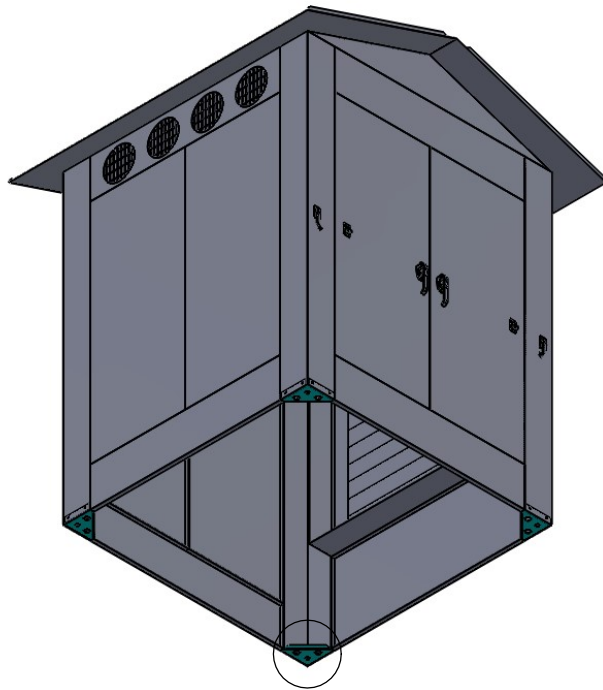
- 1 AFTER POSITIONING YOUR LOWER UNIT TO IT'S FOUNDATION: REMOVE ALL LIFTING BRACKET HARDWARE. **SAVE HARDWARE FOR INSTALLING UPPER MODULES*
- 2 POSITION THE UPPER MODULE OVER THE LOWER MODULE AND ENGAGE ALIGNMENT STUDS (FOUND ON THE LOWER MODULE COLUMNS) WITH RECEIVING COUPLERS.
- 3 SECURE THE UPPER MODULE TO LOWER MODULE (SHEET 10)



2 RECEIVING COUPLERS ON UPPER UNIT



RECEIVING COUPLER DETAILS



STACKING-MODULAR (UPPER UNIT)

GENERAL NOTES:

- 1. THIS DOCUMENT IS FOR INSTALLATION & MAINTENANCE REFERENCE ONLY
- 2. ENCLOSURE SHALL BE INSTALLED BY CONTRACTOR.
- 3. THE ENCLOSURE SHALL BE INSTALLED WITH A BOOM TRUCK OR EQUIVALENT.
- 4. THE CONTRACTOR SHALL NOT DISASSEMBLE PUMP ENCLOSURE FOR OR DURING INSTALLATION.
- 5. CONCRETE SLAB, ELECTRICAL CONNECTIONS AND ANCHOR BOLTS NOT PROVIDED BY RPS INDUSTRIES.
- 6. SPECIFICATIONS VARY PER BUILD

UPPER MODULE INSTALLATION

PROPRIETARY NOTICE
 THE INFORMATION CONTAINED IN THIS DRAWING IS THE SOLE PROPERTY OF RPS INDUSTRIES. ANY REPRODUCTION IN PART OR AS A WHOLE WITHOUT THE WRITTEN PERMISSION OF RPS INDUSTRIES IS PROHIBITED.

CUSTOMER:

TITLE: INSTALLATION INSTRUCTIONS

RPS INDUSTRIES

PRECISION SHEET METAL
 11105 SW INDUSTRIAL WAY, BLDG 6, BAY 1
 TUALATIN, OREGON 97062
 PH. 503-691-5872
 WWW.RPSUSA.COM

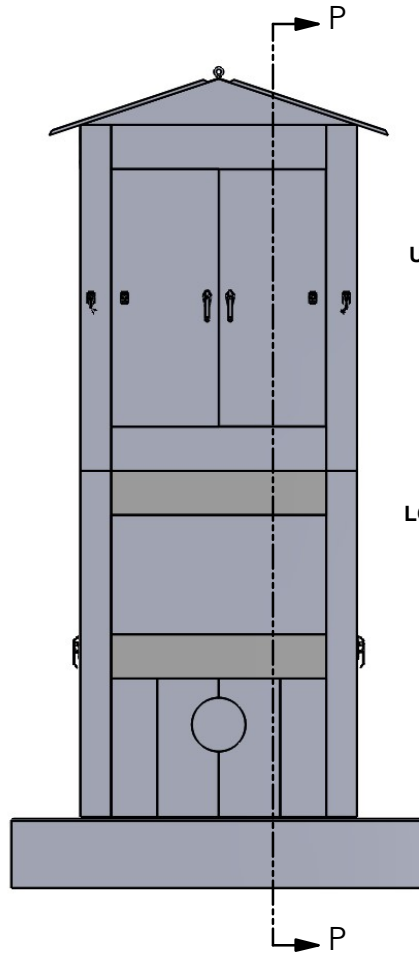
INSTALLATION INSTRUCTIONS - SECURING UPPER MODULE

*THIS STEP ONLY APPLIES TO STACKING-MODULAR UNITS

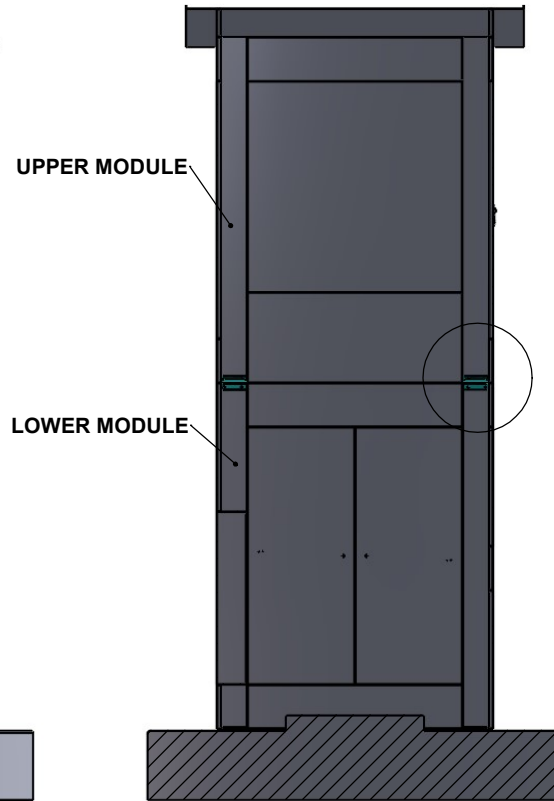
*SPECIFICATIONS VARY PER BUILD

4 SECURE THE UPPER MODULE TO LOWER MODULE FROM INSIDE THE BUILDING.
*USE THE HARDWARE FROM UPPER MODULE LIFT POINTS. (SHEETS 8 & 9)

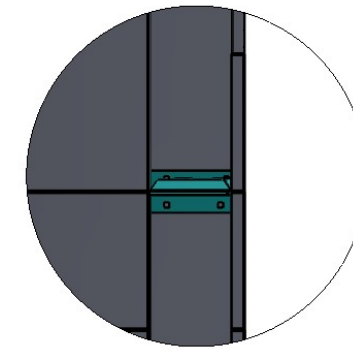
5 SECURE COUPLING BRACKETS TO UPPER AND LOWER MODULE (SHEET 11)



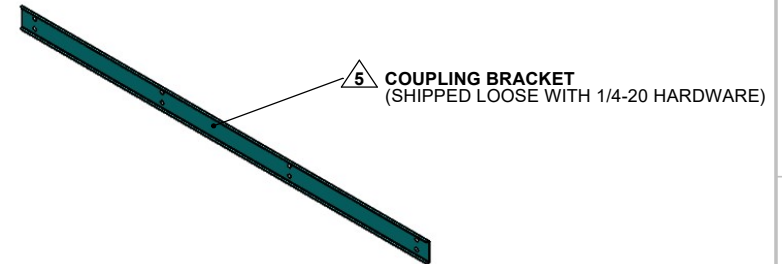
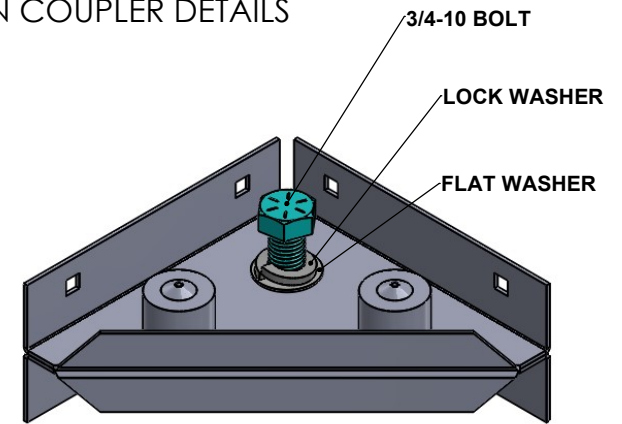
STACKING-MODULAR (UPPER & LOWER UNIT)



INTERNAL SECTION VIEW



COLUMN COUPLER DETAILS



GENERAL NOTES:

1. THIS DOCUMENT IS FOR INSTALLATION & MAINTENANCE REFERENCE ONLY
2. ENCLOSURE SHALL BE INSTALLED BY CONTRACTOR.
3. THE ENCLOSURE SHALL BE INSTALLED WITH A BOOM TRUCK OR EQUIVALENT.
4. THE CONTRACTOR SHALL NOT DISASSEMBLE PUMP ENCLOSURE FOR OR DURING INSTALLATION.
5. CONCRETE SLAB, ELECTRICAL CONNECTIONS AND ANCHOR BOLTS NOT PROVIDED BY RPS INDUSTRIES.
6. SPECIFICATIONS VARY PER BUILD

UPPER MODULE INSTALLATION

PROPRIETARY NOTICE
THE INFORMATION CONTAINED IN THIS DRAWING IS THE SOLE PROPERTY OF RPS INDUSTRIES. ANY REPRODUCTION IN PART OR AS A WHOLE WITHOUT THE WRITTEN PERMISSION OF RPS INDUSTRIES IS PROHIBITED.

CUSTOMER:

TITLE: **INSTALLATION INSTRUCTIONS**

RPS INDUSTRIES

PRECISION SHEET METAL
11105 SW INDUSTRIAL WAY, BLDG 6, BAY 1
TUALATIN, OREGON 97062
PH. 503-691-5972
WWW.RPSUSA.COM

DO NOT SCALE DRAWINGS FROM THIS SHEET

DRAWING NO.

DATE: 5/19/2022

DRAWN: AJ

REV:

SHEET 10 OF 11

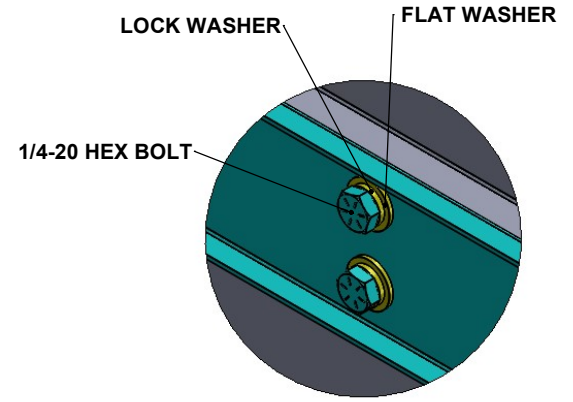
INSTALLATION INSTRUCTIONS - SECURING UPPER MODULE

*THIS STEP ONLY APPLIES TO STACKING-MODULAR UNITS

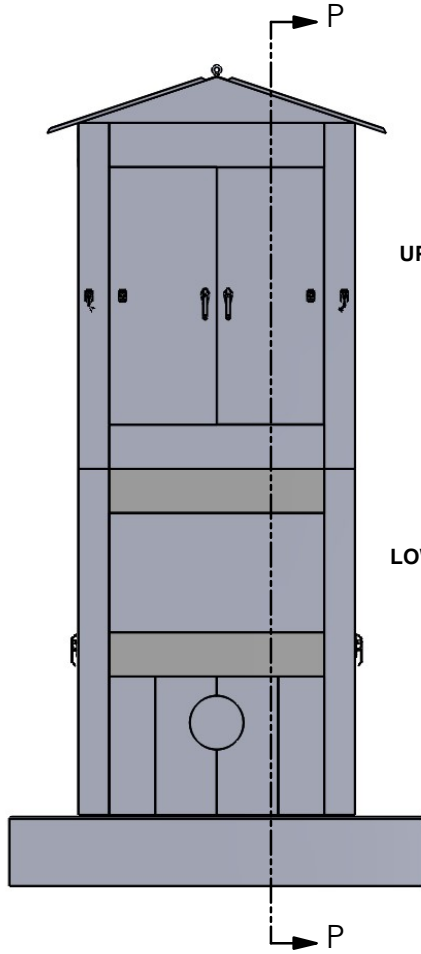
*SPECIFICATIONS VARY PER BUILD

4 SECURE THE UPPER MODULE TO LOWER MODULE FROM INSIDE THE BUILDING.
*USE THE HARDWARE FROM UPPER MODULE LIFT POINTS. (SHEETS 8 & 9)

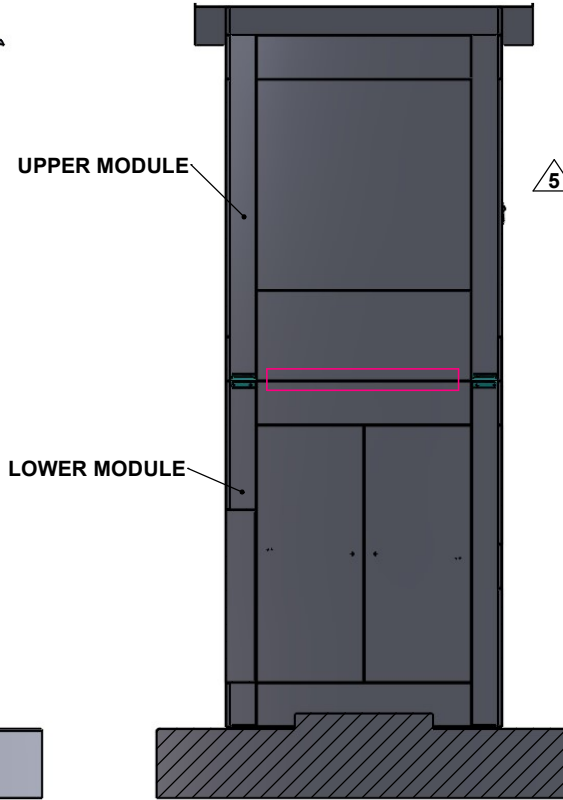
5 SECURE COUPLING BRACKETS TO UPPER AND LOWER MODULE.



HARDWARE DETAIL

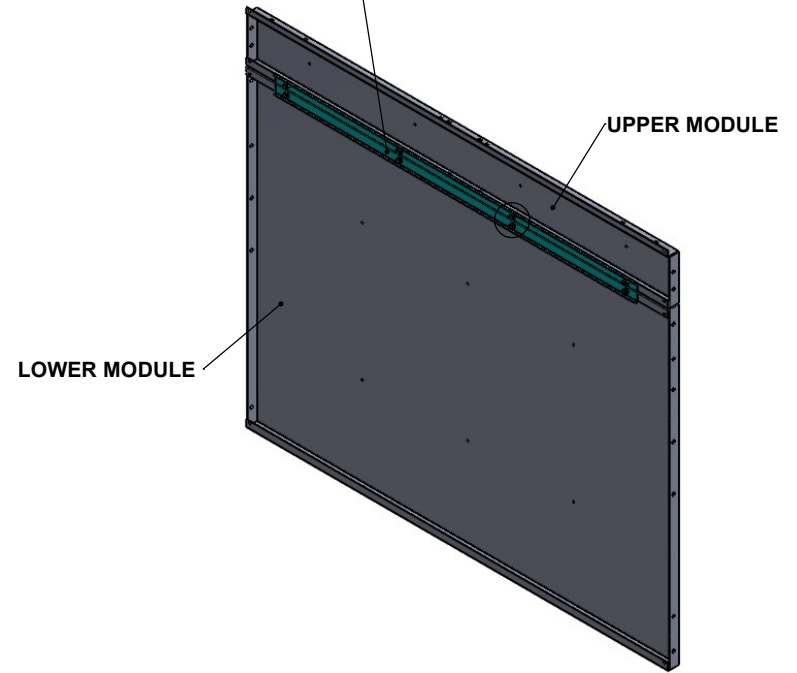


STACKING-MODULAR (UPPER & LOWER UNIT)



INTERNAL SECTION VIEW

5 COUPLING BRACKET
(SHIPPED LOOSE WITH HARDWARE)



GENERAL NOTES:

1. THIS DOCUMENT IS FOR INSTALLATION & MAINTENANCE REFERENCE ONLY
2. ENCLOSURE SHALL BE INSTALLED BY CONTRACTOR.
3. THE ENCLOSURE SHALL BE INSTALLED WITH A BOOM TRUCK OR EQUIVALENT.
4. THE CONTRACTOR SHALL NOT DISASSEMBLE PUMP ENCLOSURE FOR OR DURING INSTALLATION.
5. CONCRETE SLAB, ELECTRICAL CONNECTIONS AND ANCHOR BOLTS NOT PROVIDED BY RPS INDUSTRIES.
6. SPECIFICATIONS VARY PER BUILD

UPPER MODULE INSTALLATION

PROPRIETARY NOTICE
THE INFORMATION CONTAINED IN THIS DRAWING IS THE SOLE PROPERTY OF RPS INDUSTRIES. ANY REPRODUCTION IN PART OR AS A WHOLE WITHOUT THE WRITTEN PERMISSION OF RPS INDUSTRIES IS PROHIBITED.

CUSTOMER:

TITLE: INSTALLATION INSTRUCTIONS

RPS INDUSTRIES

PRECISION SHEET METAL
11105 SW INDUSTRIAL WAY, BLDG 6, BAY 1
TUALATIN, OREGON 97062
PH. 503-691-5972
WWW.RPSUSA.COM