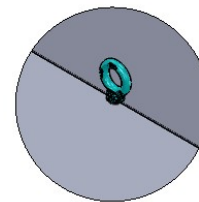


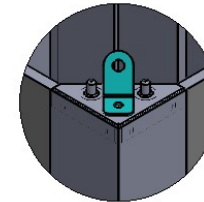
INSTALLATION INSTRUCTIONS - LIFTING

- *LIFT USING ALL PREINSTALLED LIFT POINTS
- *MULTI-POINT LIFTING RECOMMENDED ANGLE IS 45°
- *SPECIFICATIONS VARY PER BUILD

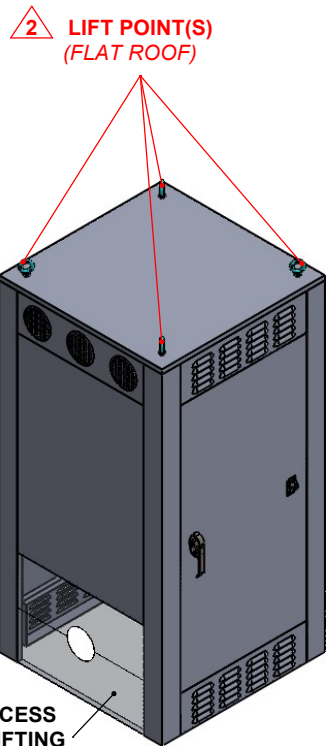
- 1 REMOVE ALL ACCESS PANELS PRIOR TO LIFTING (IF PANELS ARE SHIPPED LOOSE LEAVE THEM OFF)
- 2 LIFT USING ALL AVAILABLE LIFT POINTS *SPECIFICATIONS DIFFER PER BUILD
- 3 LOWER THE BUILDING TO FOUNDATION THEN LEVEL & SECURE (SHEETS 3-6)



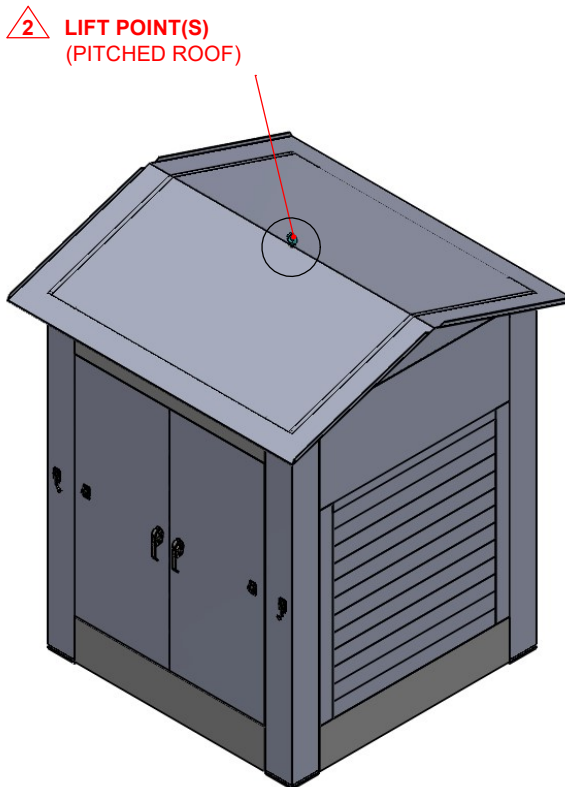
LIFTING EYE(S)
(PREINSTALLED)



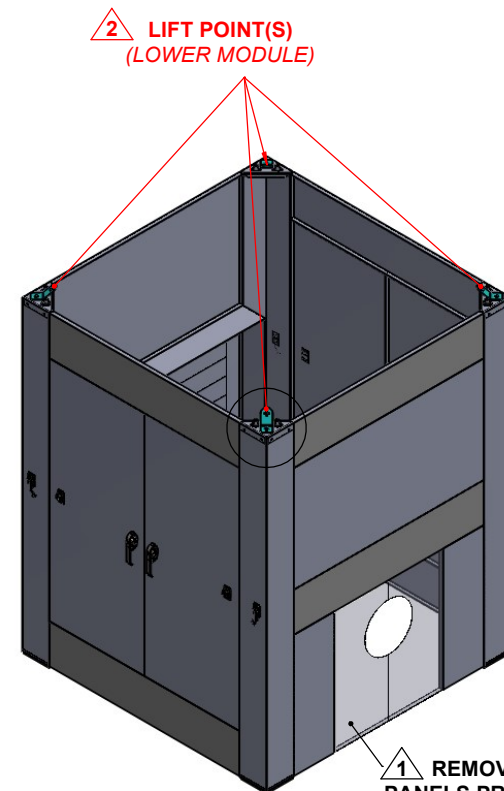
LIFTING BRACKETS
(PREINSTALLED)



SINGLE UNIT



SINGLE UNIT



STACKING-MODULAR (LOWER UNIT)

GENERAL NOTES:

1. THIS DOCUMENT IS FOR INSTALLATION & MAINTENANCE REFERENCE ONLY
2. ENCLOSURE SHALL BE INSTALLED BY CONTRACTOR.
3. THE ENCLOSURE SHALL BE INSTALLED WITH A BOOM TRUCK OR EQUIVALENT.
4. THE CONTRACTOR SHALL NOT DISASSEMBLE PUMP ENCLOSURE FOR OR DURING INSTALLATION.
5. CONCRETE SLAB, ELECTRICAL CONNECTIONS AND ANCHOR BOLTS NOT PROVIDED BY RPS INDUSTRIES.
6. SPECIFICATIONS VARY PER BUILD

LIFTING

PROPRIETARY NOTICE
 THE INFORMATION CONTAINED IN THIS DRAWING IS THE SOLE PROPERTY OF RPS INDUSTRIES. ANY REPRODUCTION IN PART OR AS A WHOLE WITHOUT THE WRITTEN PERMISSION OF RPS INDUSTRIES IS PROHIBITED.

CUSTOMER:

TITLE: INSTALLATION INSTRUCTIONS

RPS INDUSTRIES

PRECISION SHEET METAL
 11105 SW INDUSTRIAL WAY, BLDG 6, BAY 1
 TUALATIN, OREGON 97062
 PH. 503-691-5972
 WWW.RPSUSA.COM