

AXIAL FANS OPTIONS:

**2FT^2 OPEN AREA REQUIRED PER 1800CFM*

230CFM

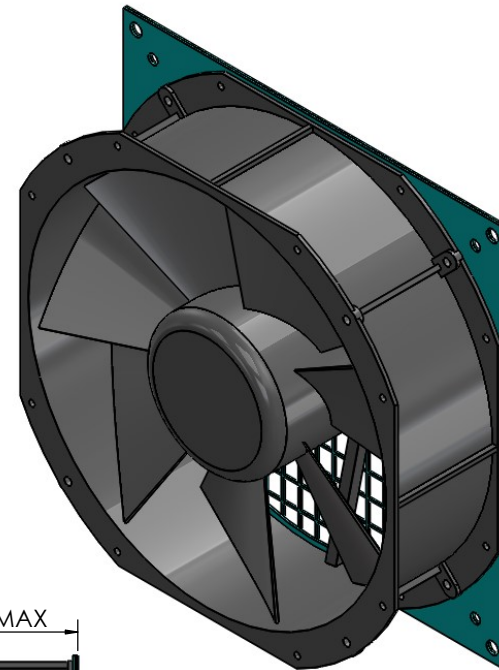
Noise Level: 58/62dBA
Voltage: 120V

600CFM

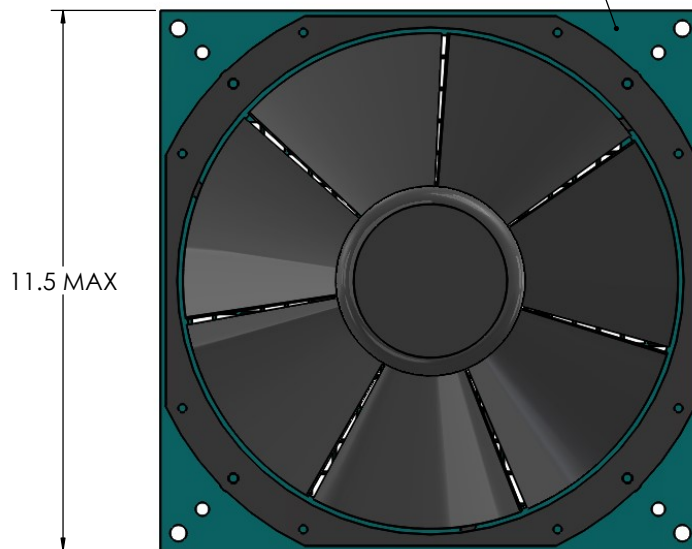
Noise Level: 49dBA
Voltage: 120V

1100CFM

Noise Level: 73dBA
Voltage: 120V



FAN MOUNTING PLATE



11.5 MAX

3.5 MAX



2 RPS QR CODES

- * LOOK FOR STICKERS LOCATED ON YOUR UNIT.
- * SCAN CODE WITH YOUR PHONE OR DEVICE.

GENERAL NOTES:

- SPECIFICATIONS VARY PER BUILD AND ARE SUBJECT TO CHANGE.

FAN WITH MOUNTING PLATE

PROPRIETARY NOTICE
 THE INFORMATION CONTAINED IN THIS DRAWING IS THE SOLE PROPERTY OF RPS INDUSTRIES. ANY REPRODUCTION IN PART OR AS A WHOLE WITHOUT THE WRITTEN PERMISSION OF RPS INDUSTRIES IS PROHIBITED.

CUSTOMER:

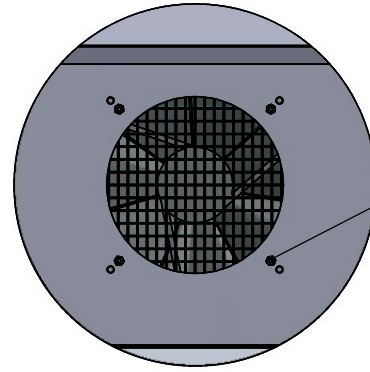
 TITLE: **FAN MOUNTING SPECIFICATIONS**

RPS INDUSTRIES
 PRECISION SHEET METAL
 11105 SW INDUSTRIAL WAY, BLDG 6, BAY 1
 TUALATIN, OREGON 97062
 PH. 503-691-5872
 WWW.RPSUSA.COM

FAN REMOVAL & INSTALLATION

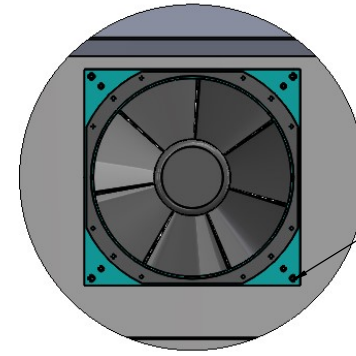
**BE SURE TO REMOVE ALL ELECTRICAL CONNECTIONS PRIOR TO FAN REMOVAL.*

1 TO REMOVE FANS, UNFASTEN ALL 1/4-20 HARDWARE



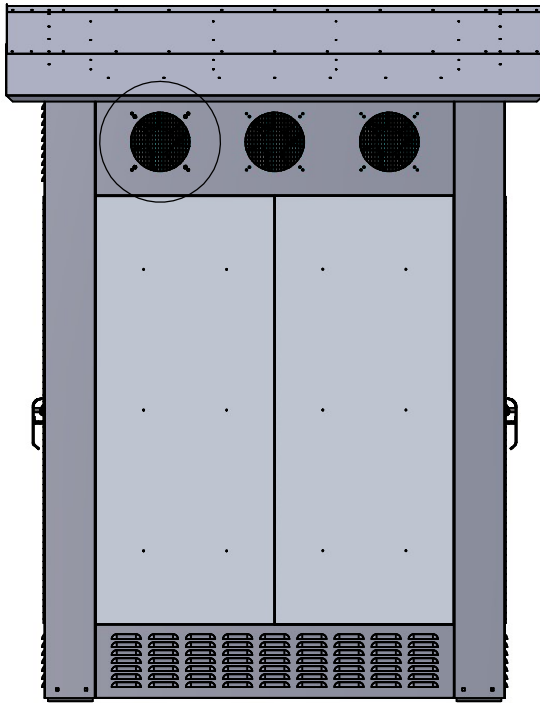
1/4-20 BOLTS (x4)

EXTERNAL HARDWARE

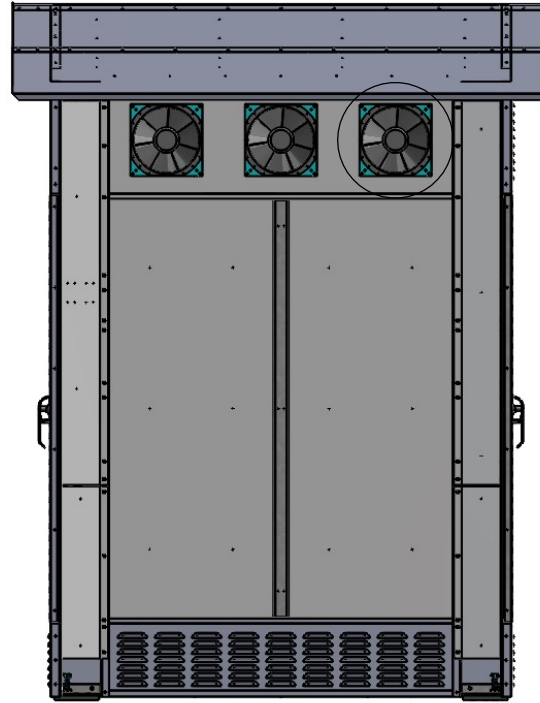


INTERNAL 1/4-20 HARDWARE (x4)

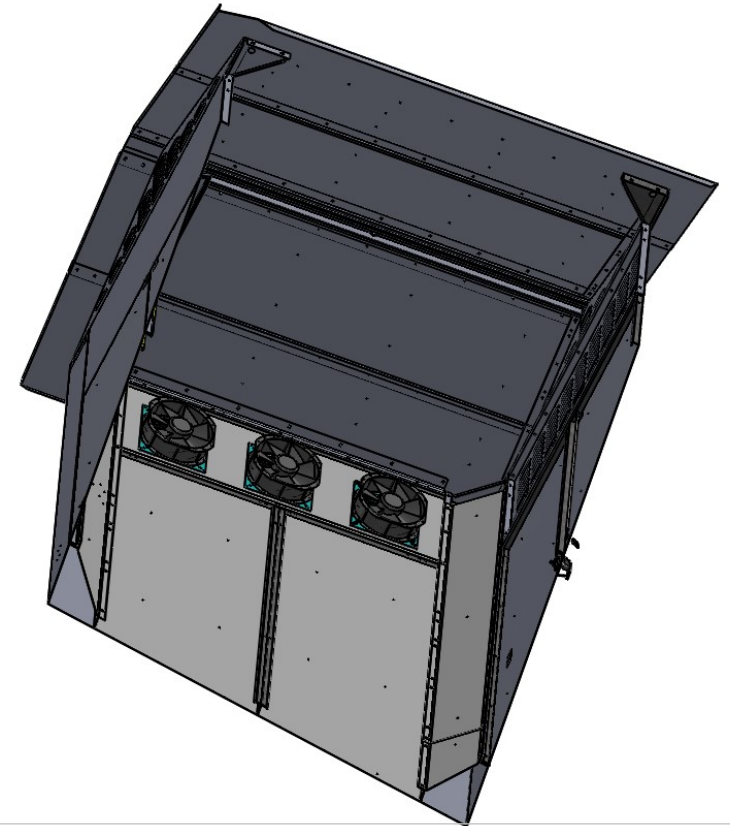
INTERNAL HARDWARE



EXTERNAL VIEW



INTERNAL VIEW



GENERAL NOTES:

- 1. SPECIFICATIONS VARY PER BUILD AND ARE SUBJECT TO CHANGE.

ENCLOSURE WITH FANS			
<p>PROPRIETARY NOTICE THE INFORMATION CONTAINED IN THIS DRAWING IS THE SOLE PROPERTY OF RPS INDUSTRIES. ANY REPRODUCTION IN PART OR AS A WHOLE WITHOUT THE WRITTEN PERMISSION OF RPS INDUSTRIES IS PROHIBITED.</p>		<p>CUSTOMER:</p>	
		<p>TITLE: FAN MOUNTING SPECIFICATIONS</p>	
<p>DO NOT SCALE DRAWINGS FROM THIS SHEET</p>		<p>DRAWING NO.</p>	<p>DATE: 5/19/2022</p>
		<p>DRAWN: AJ</p>	<p>REV:</p>
		<p>RPS INDUSTRIES PRECISION SHEET METAL 11105 SW INDUSTRIAL WAY, BLDG 6, BAY 1 TUALATIN, OREGON 97062 PH. 503-691-5872 WWW.RPSUSA.COM</p>	
		<p>SHEET 2 OF 2</p>	