

# ROOF INSTALLATION INSTRUCTIONS

*\*ALL HARDWARE IS FASTENED FROM INSIDE OF BUILDING.  
\*ALWAYS LEAVE TRUSS PANEL ATTACHED TO THE ROOF.*

- 1** LIFT ROOF USING ALL PRE-INSTALLED LIFT POINTS \* LIFT POINT SPECIFICATIONS VARY PER BUILD
- 2** ROOF ATTACHMENT POINTS INCLUDE; TRUSS, ANGLE BRACKETS & BOLT PLATES.
- 3** ALL LIFTING & INSTALLATION HARDWARE IS INCLUDED

**1** LIFT POINT(S)  
(PREINSTALLED)

**2** TRUSS

**2** ANGLE BRACKETS  
(SHIPPED LOOSE)

**2** BOLT PLATES  
(SHIPPED LOOSE)

ROOF INSTALLATION - PITCHED



SCAN WITH YOUR DEVICE

## **2** RPS QR CODES

*\* LOOK FOR STICKERS LOCATED ON YOUR UNIT.  
\* SCAN CODE WITH YOUR PHONE OR DEVICE.*

### GENERAL NOTES:

1. THIS DOCUMENT IS FOR INSTALLATION & MAINTENANCE REFERENCE ONLY
2. ENCLOSURE SHALL BE INSTALLED BY CONTRACTOR.
3. THE ENCLOSURE SHALL BE INSTALLED WITH A BOOM TRUCK OR EQUIVALENT.
4. THE CONTRACTOR SHALL NOT DISASSEMBLE PUMP ENCLOSURE FOR OR DURING INSTALLATION.
5. CONCRETE SLAB, ELECTRICAL CONNECTIONS AND ANCHOR BOLTS NOT PROVIDED BY RPS INDUSTRIES.
6. SPECIFICATIONS VARY PER BUILD

### STANDARD PITCHED ROOF

**PROPRIETARY NOTICE**  
THE INFORMATION CONTAINED IN THIS DRAWING IS THE SOLE PROPERTY OF RPS INDUSTRIES. ANY REPRODUCTION IN PART OR AS A WHOLE WITHOUT THE WRITTEN PERMISSION OF RPS INDUSTRIES IS PROHIBITED.

CUSTOMER:

TITLE: ROOF INSTALLATION .

**RPS INDUSTRIES**  
PRECISION SHEET METAL  
11105 SW INDUSTRIAL WAY, BLDG 6, BAY 1  
TUALATIN, OREGON 97062  
PH. 503-691-5872  
WWW.RPSUSA.COM

DO NOT SCALE DRAWINGS FROM THIS SHEET

DRAWING NO.

DATE: 5/19/2022

DRAWN: AJ

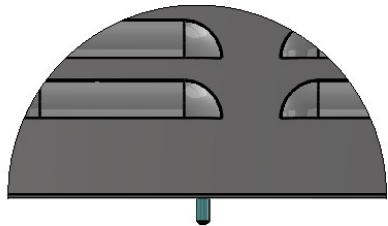
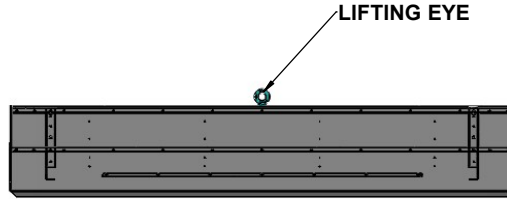
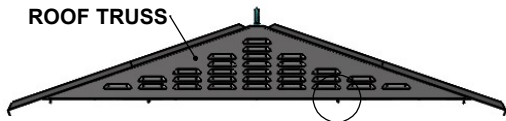
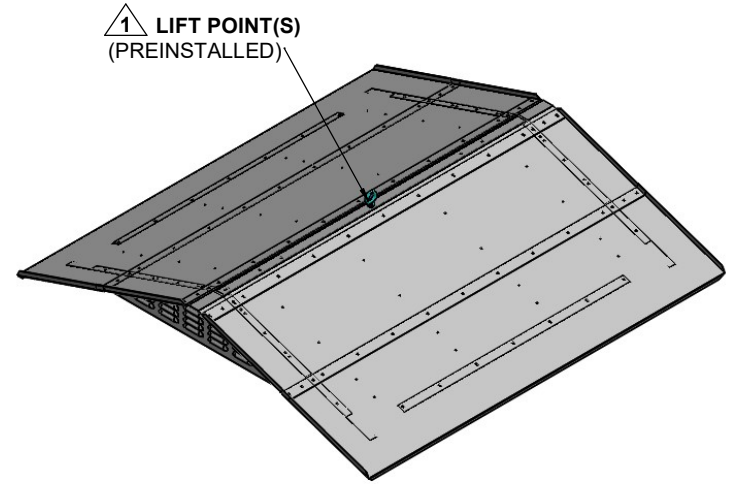
REV:

SHEET 1 OF 6

# ROOF INSTALLATION INSTRUCTIONS

*\*ALL HARDWARE IS FASTENED FROM INSIDE OF BUILDING.  
\*ALWAYS LEAVE TRUSS PANEL ATTACHED TO THE ROOF.*

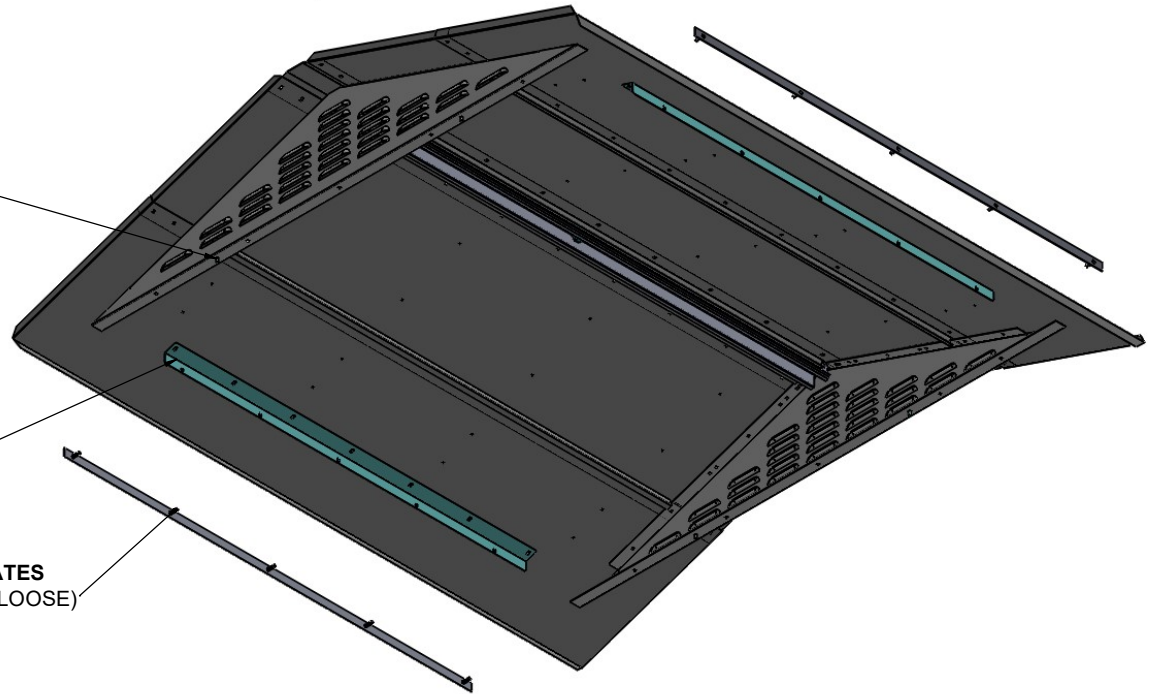
- 1 **LIFT ROOF USING ALL PRE-INSTALLED LIFTPPOINTS** \* LIFT POINT SPECIFICATIONS DIFFER PER BUILD
- 2 **POSITION ROOF OVER THE LOWER MODULE SO ALIGNMENT STUDS ENGAGE WITH RECEIVING HOLES IN THE LOWER MODULE.** (SHEET 3)
- 3 **SECURE ALL ROOF ATTACHMENT POINTS TO LOWER MODULE.** (SHEETS 3 & 4)



ALIGNMENT STUDS  
(PREINSTALLED)

ANGLE BRACKETS  
(SHIPPED LOOSE)

BOLT PLATES  
(SHIPPED LOOSE)



### GENERAL NOTES:

- 1. THIS DOCUMENT IS FOR INSTALLATION & MAINTENANCE REFERENCE ONLY
- 2. ENCLOSURE SHALL BE INSTALLED BY CONTRACTOR.
- 3. THE ENCLOSURE SHALL BE INSTALLED WITH A BOOM TRUCK OR EQUIVALENT.
- 4. THE CONTRACTOR SHALL NOT DISASSEMBLE PUMP ENCLOSURE FOR OR DURING INSTALLATION.
- 5. CONCRETE SLAB, ELECTRICAL CONNECTIONS AND ANCHOR BOLTS NOT PROVIDED BY RPS INDUSTRIES.
- 6. SPECIFICATIONS VARY PER BUILD

### STANDARD PITCHED ROOF

**PROPRIETARY NOTICE**  
THE INFORMATION CONTAINED IN THIS DRAWING IS THE SOLE PROPERTY OF RPS INDUSTRIES. ANY REPRODUCTION IN PART OR AS A WHOLE WITHOUT THE WRITTEN PERMISSION OF RPS INDUSTRIES IS PROHIBITED.

CUSTOMER:

TITLE: ROOF INSTALLATION .

### RPS INDUSTRIES

PRECISION SHEET METAL  
11105 SW INDUSTRIAL WAY, BLDG 6, BAY 1  
TUALATIN, OREGON 97062  
PH. 503-691-5872  
WWW.RPSUSA.COM

DO NOT SCALE DRAWINGS FROM THIS SHEET

DRAWING NO.

DATE: 5/19/2022

DRAWN: AJ

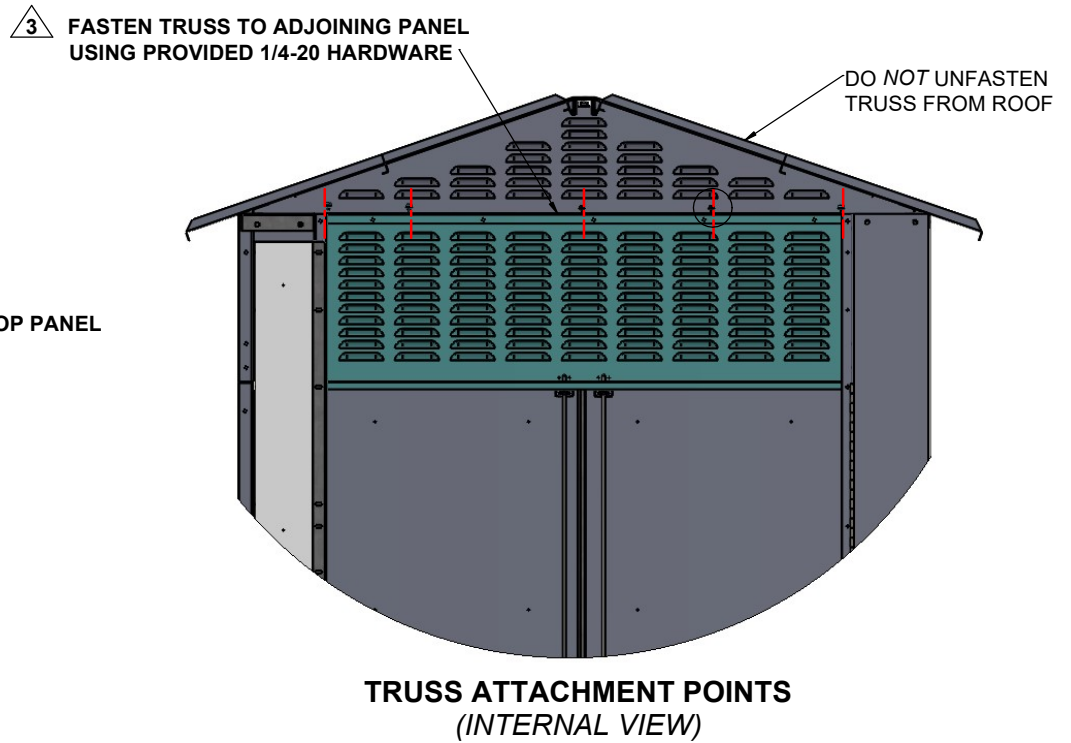
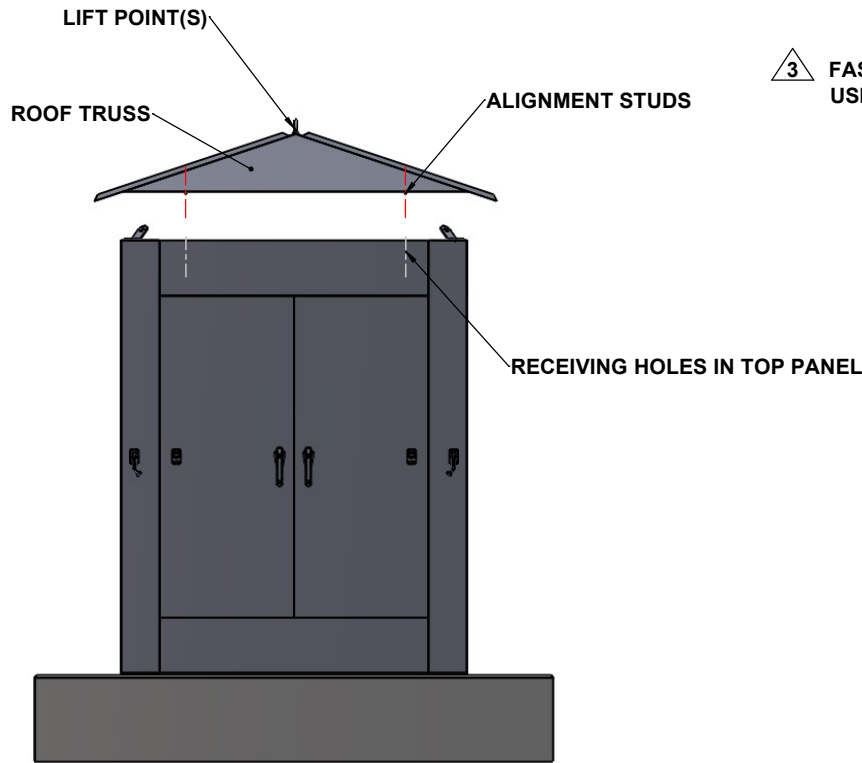
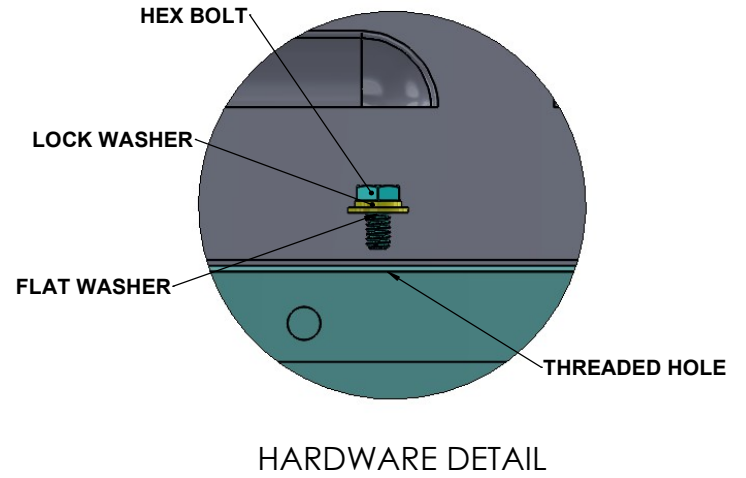
REV:

SHEET 2 OF 6

# ROOF INSTALLATION INSTRUCTIONS

\*ALL HARDWARE IS FASTENED FROM INSIDE OF BUILDING.  
 \*ALWAYS LEAVE TRUSS PANEL ATTACHED TO THE ROOF.

- 1 LIFT ROOF USING ALL PRE-INSTALLED LIFTPPOINTS \* LIFT POINT SPECIFICATIONS DIFFER PER BUILD
- 2 ENGAGE ROOF ALIGNMENT STUDS WITH RECEIVING HOLES IN THE LOWER MODULE
- 3 FASTEN TRUSSES TO LOWER MODULE USING PROVIDED 1/4-20 HARDWARE (MORE ON SHEET 4)



**GENERAL NOTES:**

1. THIS DOCUMENT IS FOR INSTALLATION & MAINTENANCE REFERENCE ONLY
2. ENCLOSURE SHALL BE INSTALLED BY CONTRACTOR.
3. THE ENCLOSURE SHALL BE INSTALLED WITH A BOOM TRUCK OR EQUIVALENT.
4. THE CONTRACTOR SHALL NOT DISASSEMBLE PUMP ENCLOSURE FOR OR DURING INSTALLATION.
5. CONCRETE SLAB, ELECTRICAL CONNECTIONS AND ANCHOR BOLTS NOT PROVIDED BY RPS INDUSTRIES.
6. SPECIFICATIONS VARY PER BUILD

**STANDARD PITCHED ROOF**

**PROPRIETARY NOTICE**  
 THE INFORMATION CONTAINED IN THIS DRAWING IS THE SOLE PROPERTY OF RPS INDUSTRIES. ANY REPRODUCTION IN PART OR AS A WHOLE WITHOUT THE WRITTEN PERMISSION OF RPS INDUSTRIES IS PROHIBITED.

CUSTOMER:

TITLE: ROOF INSTALLATION

**RPS INDUSTRIES**  
 PRECISION SHEET METAL  
 11105 SW INDUSTRIAL WAY, BLDG 6, BAY 1  
 TUALATIN, OREGON 97062  
 PH. 503-691-5972  
 WWW.RPSUSA.COM

DO NOT SCALE DRAWINGS FROM THIS SHEET

DRAWING NO.

DATE: 5/19/2022

DRAWN: AJ

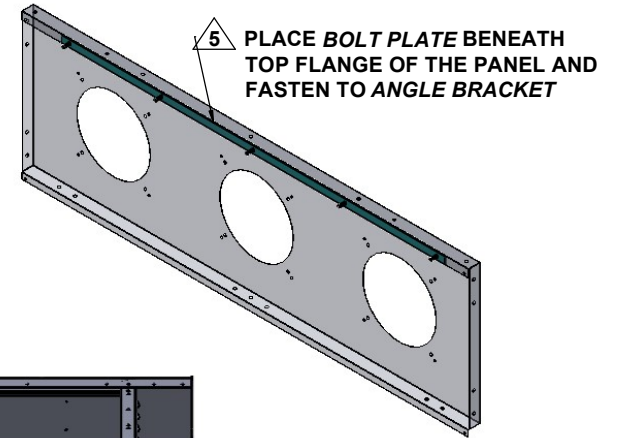
REV:

SHEET 3 OF 6

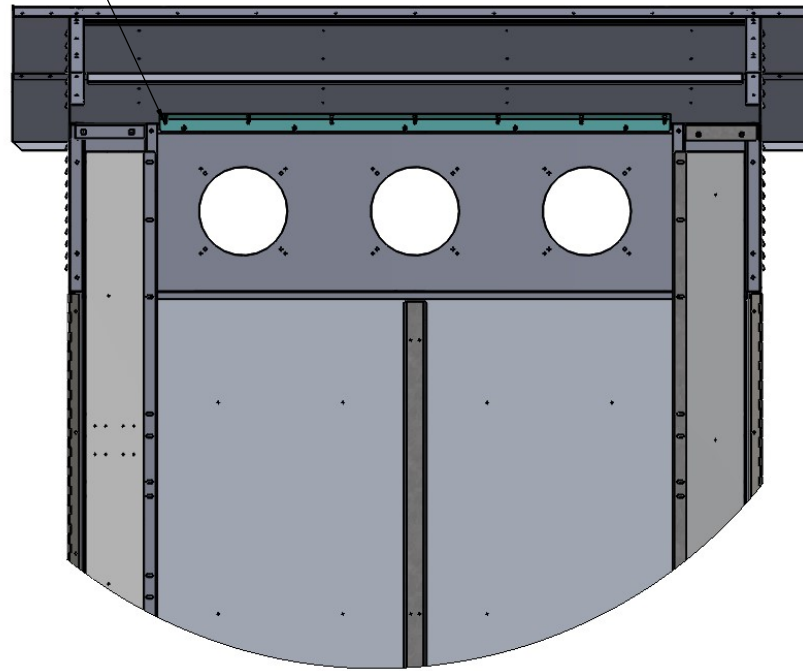
### ROOF INSTALLATION INSTRUCTIONS

\*ALL HARDWARE IS FASTENED FROM INSIDE OF BUILDING.  
\*ALWAYS LEAVE TRUSS PANEL ATTACHED TO THE ROOF.

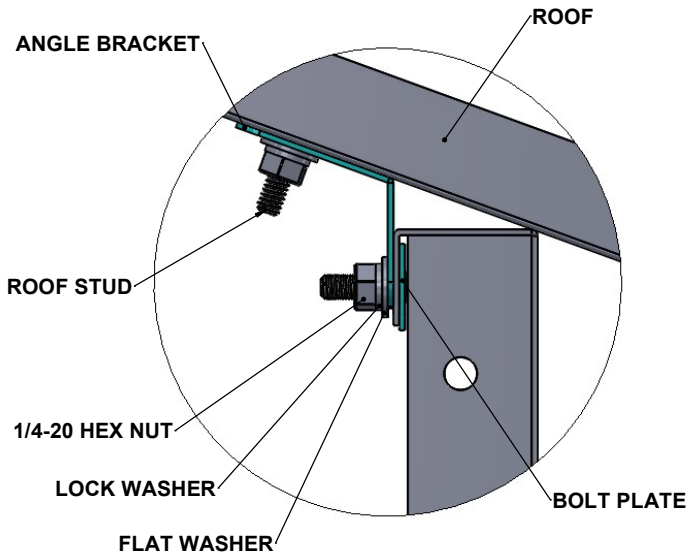
- 3 SECURE ROOF ATTACHMENT POINTS TO THE LOWER MODULE (MORE DETAILS ON SHEET 3)
- 4 FASTEN ANGLE BRACKETS TO THE ROOF USING 1/4-20 HARDWARE
- 5 FASTEN ANGLE BRACKETS TO THE LOWER MODULE TOP PANEL USING THE BOLT PLATES AND PROVIDED 1/4-20 HARDWARE



- 4 ATTACH ANGLE BRACKET TO PRE-INSTALLED STUDS ON ROOF USING 1/4-20 HARDWARE
- 5 THEN ATTACH BOLT PLATE.



### ANGLE BRACKET & BOLT PLATE ATTACHMENT (INTERNAL VIEW)



### HARDWARE DETAIL

#### GENERAL NOTES:

1. THIS DOCUMENT IS FOR INSTALLATION & MAINTENANCE REFERENCE ONLY
2. ENCLOSURE SHALL BE INSTALLED BY CONTRACTOR.
3. THE ENCLOSURE SHALL BE INSTALLED WITH A BOOM TRUCK OR EQUIVALENT.
4. THE CONTRACTOR SHALL NOT DISASSEMBLE PUMP ENCLOSURE FOR OR DURING INSTALLATION.
5. CONCRETE SLAB, ELECTRICAL CONNECTIONS AND ANCHOR BOLTS NOT PROVIDED BY RPS INDUSTRIES.
6. SPECIFICATIONS VARY PER BUILD

#### STANDARD PITCHED ROOF

**PROPRIETARY NOTICE**  
 THE INFORMATION CONTAINED IN THIS DRAWING IS THE SOLE PROPERTY OF RPS INDUSTRIES. ANY REPRODUCTION IN PART OR AS A WHOLE WITHOUT THE WRITTEN PERMISSION OF RPS INDUSTRIES IS PROHIBITED.

CUSTOMER:

TITLE: ROOF INSTALLATION

**RPS INDUSTRIES**  
 PRECISION SHEET METAL  
 11105 SW INDUSTRIAL WAY, BLDG 6, BAY 1  
 TUALATIN, OREGON 97062  
 PH. 503-691-5972  
 WWW.RPSUSA.COM

DO NOT SCALE DRAWINGS FROM THIS SHEET

DRAWING NO.

DATE: 5/19/2022

DRAWN: AJ

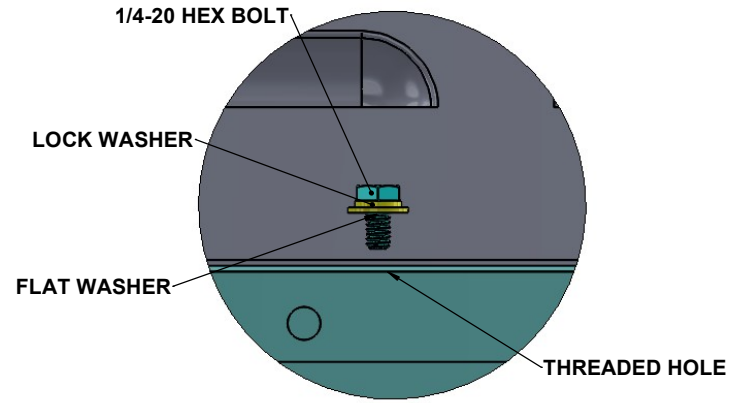
REV:

SHEET 4 OF 6

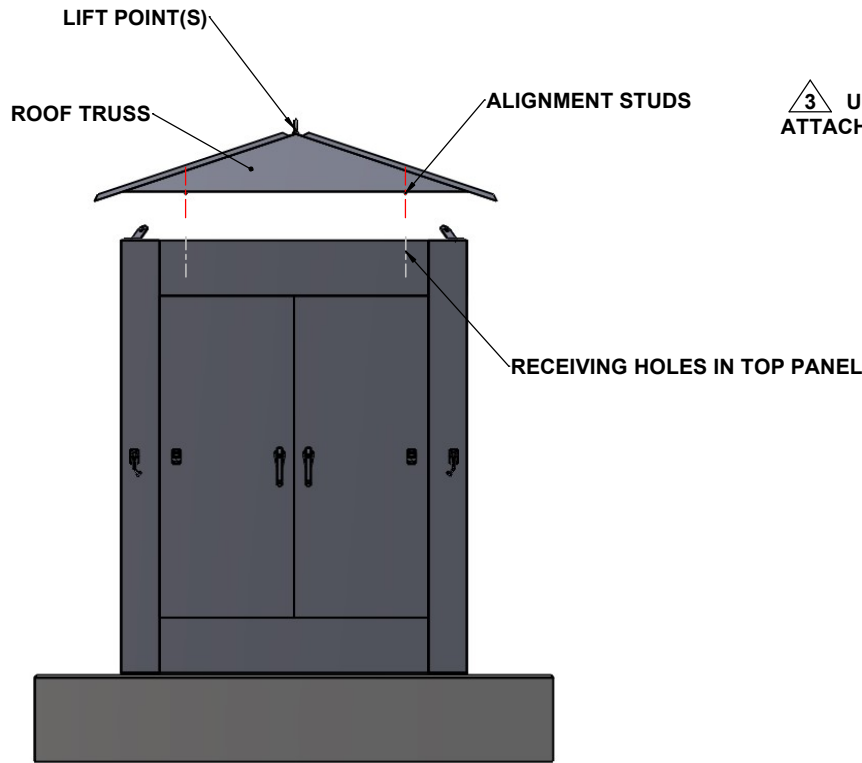
### ROOF REMOVAL INSTRUCTIONS

*\*ALL HARDWARE IS FASTENED FROM INSIDE OF BUILDING.  
\*ALWAYS LEAVE TRUSS PANEL ATTACHED TO THE ROOF.*

- 1 LIFT ROOF USING ALL PRE-INSTALLED LIFTPPOINTS \* LIFT POINT SPECIFICATIONS DIFFER PER BUILD
- 2 UNFASTEN ALL ROOF ATTACHMENT POINTS FROM THE LOWER MODULE PRIOR TO LIFTING.
- 3 UNFASTEN TRUSSES FROM LOWER MODULE.
- 4 UNFASTEN ANGLE BRACKETS FROM ROOF (SEE SHEET 7)
- 5 UNFASTEN ANGLE BRACKETS FROM THE LOWER MODULE & BOLT PLATES. (SEE SHEET 7)

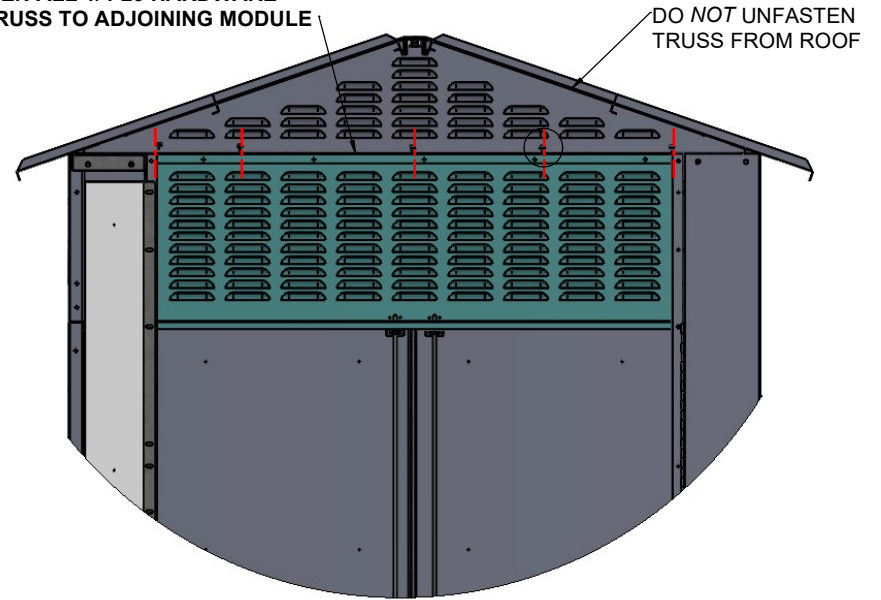


HARDWARE DETAIL



LOWER MODULE & ROOF ALIGNMENT

3 UNFASTEN ALL 1/4-20 HARDWARE ATTACHING TRUSS TO ADJOINING MODULE



TRUSS ATTACHMENT POINTS (INTERNAL VIEW)

**GENERAL NOTES:**

- 1. THIS DOCUMENT IS FOR INSTALLATION & MAINTENANCE REFERENCE ONLY
- 2. ENCLOSURE SHALL BE INSTALLED BY CONTRACTOR.
- 3. THE ENCLOSURE SHALL BE INSTALLED WITH A BOOM TRUCK OR EQUIVALENT.
- 4. THE CONTRACTOR SHALL NOT DISASSEMBLE PUMP ENCLOSURE FOR OR DURING INSTALLATION.
- 5. CONCRETE SLAB, ELECTRICAL CONNECTIONS AND ANCHOR BOLTS NOT PROVIDED BY RPS INDUSTRIES.
- 6. SPECIFICATIONS VARY PER BUILD

**STANDARD PITCHED ROOF**

**PROPRIETARY NOTICE**  
THE INFORMATION CONTAINED IN THIS DRAWING IS THE SOLE PROPERTY OF RPS INDUSTRIES. ANY REPRODUCTION IN PART OR AS A WHOLE WITHOUT THE WRITTEN PERMISSION OF RPS INDUSTRIES IS PROHIBITED.

CUSTOMER:

TITLE: ROOF REMOVAL

**RPS INDUSTRIES**  
PRECISION SHEET METAL  
11105 SW INDUSTRIAL WAY, BLDG 6, BAY 1  
TUALATIN, OREGON 97062  
PH. 503-691-5872  
WWW.RPSUSA.COM

DO NOT SCALE DRAWINGS FROM THIS SHEET

DRAWING NO.

DATE: 5/19/2022

DRAWN: AJ

REV:

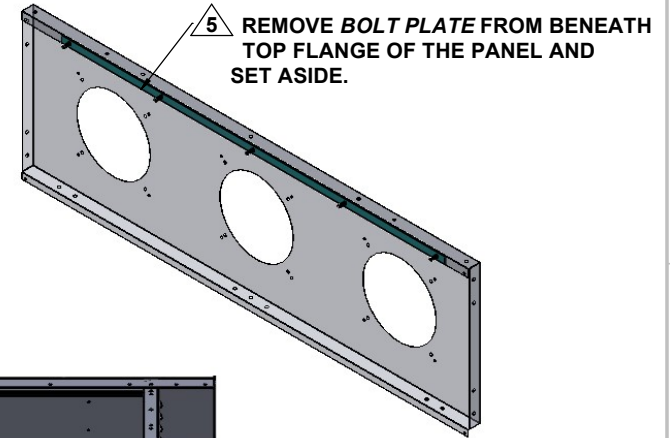
SHEET 5 OF 6



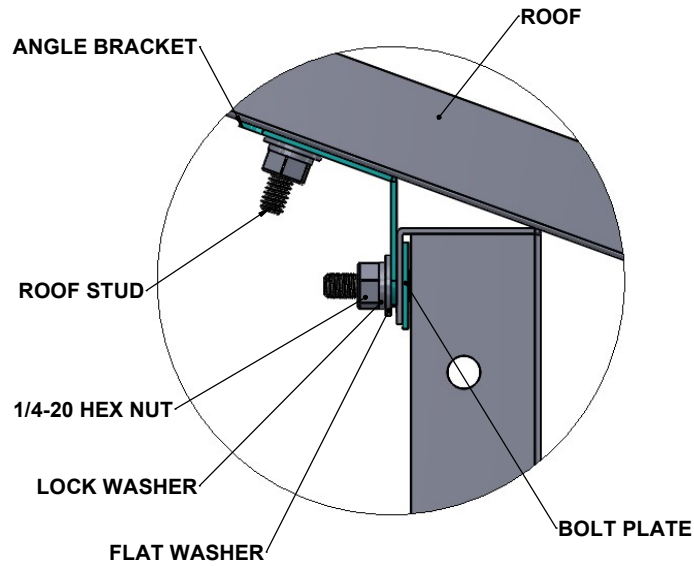
### ROOF REMOVAL INSTRUCTIONS

\*ALL HARDWARE IS FASTENED FROM INSIDE OF BUILDING.  
\*ALWAYS LEAVE TRUSS PANEL ATTACHED TO THE ROOF.

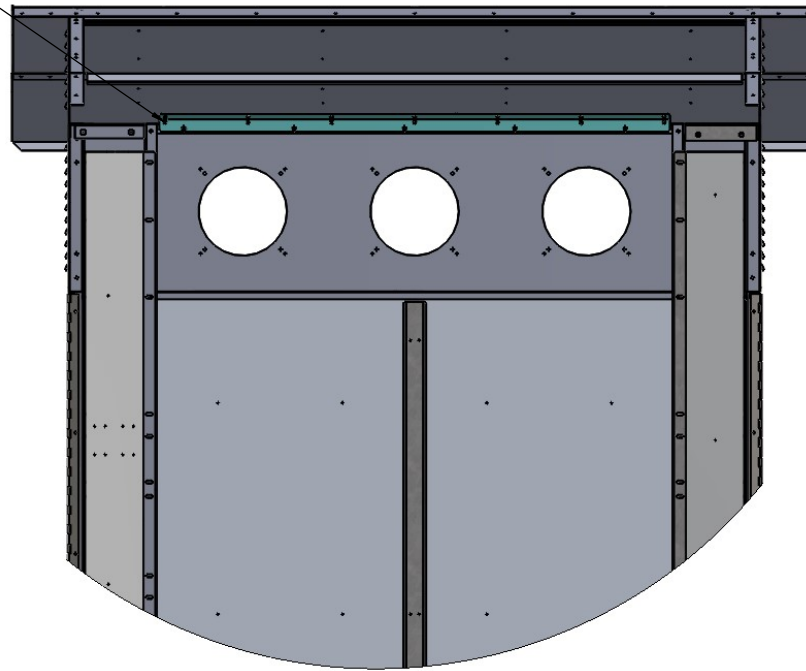
- 2 UNFASTEN ALL ROOF ATTACHMENT POINTS FROM THE LOWER MODULE PRIOR TO LIFTING. (SEE SHEET 6)
- 4 UNFASTEN ANGLE BRACKETS FROM ROOF.
- 5 UNFASTEN ANGLE BRACKETS FROM THE LOWER MODULE & BOLT PLATES.



- 4 UNFASTEN ANGLE BRACKET FROM STUDS ON ROOF
- 5 REMOVE BOLT PLATE AND SET ASIDE.



HARDWARE DETAIL



ANGLE BRACKET & BOLT PLATE ATTACHMENT  
(INTERNAL VIEW)

#### GENERAL NOTES:

1. THIS DOCUMENT IS FOR INSTALLATION & MAINTENANCE REFERENCE ONLY
2. ENCLOSURE SHALL BE INSTALLED BY CONTRACTOR.
3. THE ENCLOSURE SHALL BE INSTALLED WITH A BOOM TRUCK OR EQUIVALENT.
4. THE CONTRACTOR SHALL NOT DISASSEMBLE PUMP ENCLOSURE FOR OR DURING INSTALLATION.
5. CONCRETE SLAB, ELECTRICAL CONNECTIONS AND ANCHOR BOLTS NOT PROVIDED BY RPS INDUSTRIES.
6. SPECIFICATIONS DIFFER PER BUILD

#### STANDARD PITCHED ROOF

**PROPRIETARY NOTICE**  
 THE INFORMATION CONTAINED IN THIS DRAWING IS THE SOLE PROPERTY OF RPS INDUSTRIES. ANY REPRODUCTION IN PART OR AS A WHOLE WITHOUT THE WRITTEN PERMISSION OF RPS INDUSTRIES IS PROHIBITED.

CUSTOMER:

TITLE: ROOF REMOVAL

**RPS INDUSTRIES**  
 PRECISION SHEET METAL  
 11105 SW INDUSTRIAL WAY, BLDG 6, BAY 1  
 TUALATIN, OREGON 97062  
 PH. 503-691-5872  
 WWW.RPSUSA.COM

DO NOT SCALE DRAWINGS FROM THIS SHEET

DRAWING NO.

DATE: 5/19/2022

DRAWN: AJ

REV:

SHEET 6 OF 6